

Speedseal® MX

Key Features:

- Constructed of stainless steel and aluminum
- Automatic discharge
- Adjustable discharge shelf with Lexan® safety guard
- Rotary motion sealing up to 27 packages/minute
- Continuous motion of the conveying system
- Removable tray carriers constructed of aluminum
- Supported by a nationwide service organization
- For use in ambient temperature (50°F or above)
- Pre-set heat seal roll temperature provides optimum seal tack



Specifications:

- Weight: 340 lbs.
- Overall dimensions: W 27" x L 83" x H 56"
- Maximum tray width: 8.625"
- Maximum tray depth: 3.25"
- Tray cut-off sizes available from 3.5" to 10" in .5" increments
- Maximum roll diameter: 9"
- Infeed length: approximately 28"
- Electrical: 200-240 volts AC, 10 AMPS, 50-60 Hz , 1 phase

Above specifications subject to change without notice.
The information contained herein is correct as of the
date hereof.

Speedseal® MX

Specifications:

Tray Capacities:

8.625" (219mm) x 10" (254mm)

3.25" (82.5mm) depth

Temperature Range:

Factory set to approximately 350°F

Dimensions:

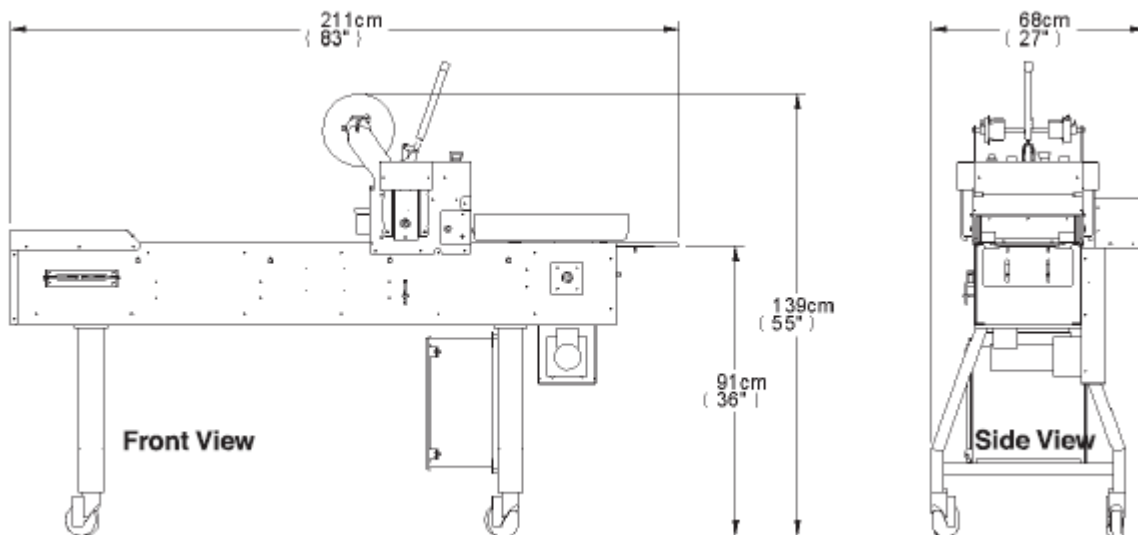
27" overall width

83" overall length

56" overall height

Electrics:

200-240 VAC, 10 AMPS, 50-60 Hz, 1 phase



Above specifications subject to change without notice.
The information contained herein is correct as of the
date hereof.