



Compact Variable Slicer

Key Features:

- Blade travels to slice loaf; bread remains stationary
- Large loaf capacity in a small footprint
- 28% narrower than the Model 2005 Deluxe
- 8 Slice Thickness Options
- 3 presets provide quick selection for popular options
- Simple slice thickness adjustment using touchpad
- Bread grip holds loaf in place during slicing process
- Quickly slices through standard and artisan breads
- Slice whole loaves, or a whole loaf in half
- Slice a variety of shapes sizes using bread gripper
- Front crumb door makes for easy access
- Maximum Loaf

W	H	L
15"	5.5"	11"



The information contained herein is correct to the best of our knowledge. The recommendations or suggestions are made without guarantee or representation as to results. Specifications subject to change without notice.



Model 2005 Compact

Compact Variable Slicer

Specifications:

Motor:

Standard Single Phase, 60Hz, 115V, 15 AMPS

Construction:

Painted steel

Slice Spacing (thickness):

1/8" , 1/4", 3/8", 1/2", 5/8", 3/4", 7/8", 1"

Loaf Capacity:

Width: 15" (38 cm)

Height: 5.5" (14 cm)

Length: 11" (28 cm)

Slicer Dimensions:

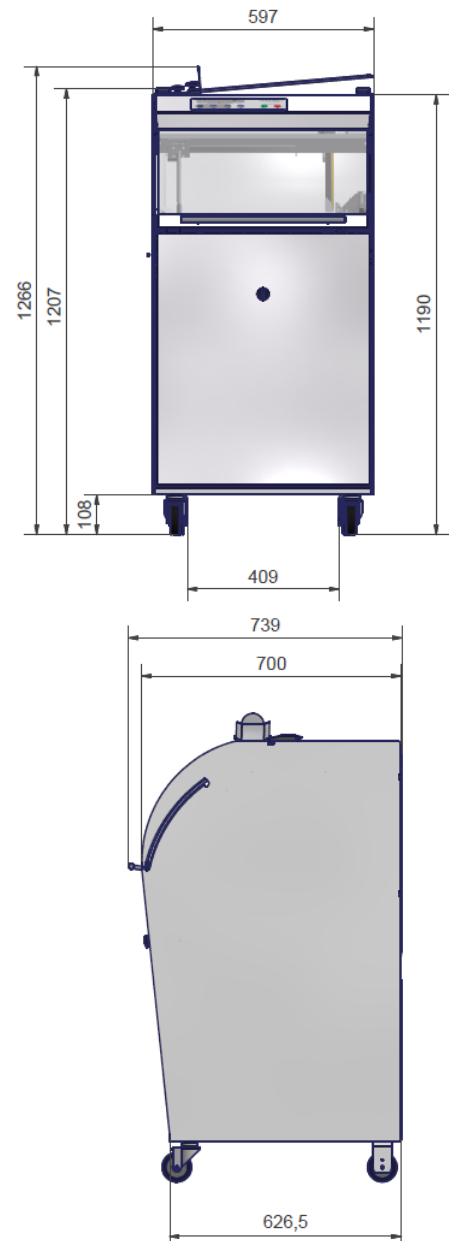
Height: 50" (1266 mm)

Width: 23.5" (597 mm)

Depth: 29" (739 mm)

Ship Weight:

Approximately 700 lbs (318 kg)



Dimensions in mm

The information contained herein is correct to the best of our knowledge. The recommendations or suggestions are made without guarantee or representation as to results. Above specifications subject to change without notice.