



Model 2005 Deluxe
Deluxe L
Deluxe XL

Deluxe Variable Slicer

Key Features:

- Countertop Model
- Slice whole loaves, or a whole loaf in half
- 8 Slice Thickness Options
- 3 presets provide quick selection for popular options
- Simple slice thickness adjustment using touchpad
- Bread grip holds loaf in place during slicing process
- Quickly slices through standard, artisan, and fruit loaves
- Slice a variety of shapes and sizes using bread gripper
- Front crumb door makes for easy access
- Maximum Loaf Capacity

Model	W	H	L
Deluxe	14"	5.5 - 6.25"	13.75"
Deluxe L	14"	5.5 - 6.25"	15.75"
Deluxe XL	14"	5.5 - 6.25"	17.7"



Deluxe model
shown with
optional stand

The information contained herein is correct to the best of our knowledge. The recommendations or suggestions are made without guarantee or representation as to results. Specifications subject to change without notice.



Model 2005 Deluxe
Deluxe L
Deluxe XL

Deluxe Variable Slicer Specifications:

Motor:

Standard Single Phase, 60Hz, 115V, 15 AMPS

Construction:

Painted steel

Slice Spacing (thickness):

1/8" , 1/4" , 3/8" , 1/2" , 5/8" , 3/4" , 7/8" , 1"

Loaf Capacity:

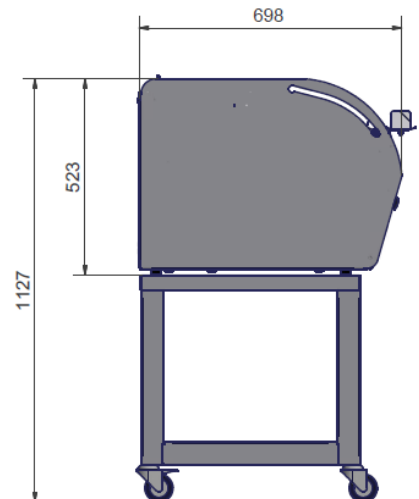
	W	H	L
Deluxe	14"	5.5 - 6.25"	13.75"
Deluxe L	14"	5.5 - 6.25"	15.75"
Deluxe XL	14"	5.5 - 6.25"	17.7"

Slicer Dimensions:

	D	H	H (on stand)	W
Deluxe	27"	21"	44.5"	30"
Deluxe L	27"	21"	44.5"	35.6"
Deluxe XL	27"	21"	44.5"	38.8"

Ship Weight:

Approximately 700 lbs with stand (318 kg)



Deluxe Model drawings

Dimensions in mm

The information contained herein is correct to the best of our knowledge. The recommendations or suggestions are made without guarantee or representation as to results. Above specifications subject to change without notice.