

Simplex Sheeter/Moulder

Moulding

- Bolillos
- Tapered rolls
- French bread*
- White, raisin & pan breads *
- Subs, hoagies & hotdog rolls *

Sheeting

- Puff pastry & Danish dough
- Yeast raised dough



Key Features

- Variable speed
- Duo infeed, process up to 7,200 Bolillos per hour
- Quick change index system - easy roller adjustment
- Telescoping infeed tubes
- In-feed guard with automatic shut off
- 24" wide FDA approved polyester belt
- Two Bolillo Moulding Plates standard
 - Select from 5", 6" or 7.5"
- One 21.5" Flat Moulding Plate standard

**with optional accessories*

Simplex Sheeter/Moulder

Specifications

Electric

3/4 HP, heavy duty motor, 1-Phase, 60Hz,
115, 5 AMP or 208 V*, 3 AMP

GFCI circuits require a 208V* for optimal
machine performance.

If you are uncertain if your facility has GFCI,
please consult with your electrician prior to
placing machine order.

Machines wired for 115V are not compatible
with GFCI circuits.

*Machine also compatible for 230V with one-step
setting change. Contact Oliver parts and service
for instructions on how to change the setting.

Product Capacity

1 oz. to 4 lbs

Bolillo Moulding Plates

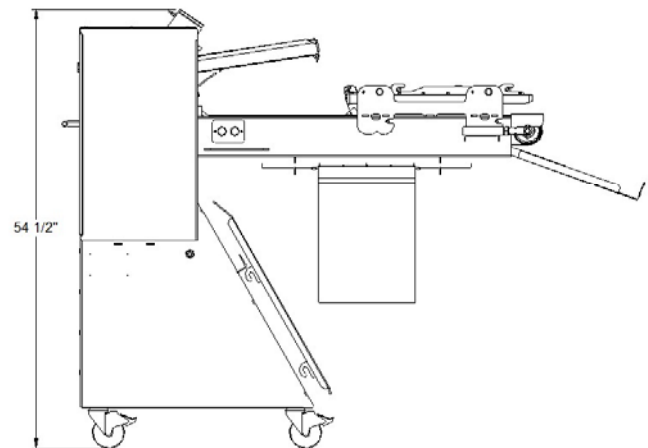
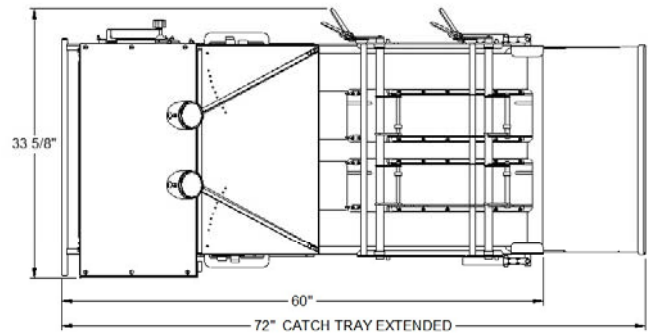
Select one width:

5", 6" or 7.5" x 23" Long

Shipping Weight: 730 lbs. (331kg)

Net Weight: 515 lbs. (234kg)

Dimensions: 54.5" H x 33.625" W x 72" D



Made in the USA