



Model 619A

## Dough Divider

*with AutoLatch*

### Key Features:

- AutoLatch lid will automatically release without operator action, eliminating the risk of pressure build-up in the hopper
  - Minimizes the danger of dough expanding in the divider
- Divides dough into equally weighted parts
- Select 16, 20, or 24 part divider
- Proprietary filtered hydraulic system cuts down on service and maintenance while increasing machine longevity
- Unique hydraulic design for noticeably quieter operation
- Round hopper for optimum scaling accuracy
- Cutting knives and pusher plates are machined to exacting tolerances minimizing dough clean-up
- Removable panels allow easy access for cleaning
- Easy clean surface of anodized stainless steel cutting blades hopper reduce dough sticking
- Stick resistant, non-rusting lid and hopper eliminate need for oiling
- Multi-directional locking heavy duty casters



The information contained herein is correct to the best of our knowledge. The recommendations or suggestions are made without guarantee or representation as to results. Above specifications subject to change without notice.



**Manufactured in the U.S.A.**



Model 619A

# Dough Divider

*with AutoLatch*

## Specifications

### Motor:

2 H.P., 3 phase, 60Hz, 230 VAC, 6.2 AMPS

Special electrics available; see price list

### Capacity:

Approximately 10 1/2 lbs. (4.8kg) to 45 lbs. (20.4kg)  
depending on the density of the dough

### Portion Sizes (approximately):

16 part: (619-16A):

- 10.5 oz. (.3kg) – 45 oz. (1.3kg)

20 part: (619-20A):

- 8.5 oz. (.2kg) – 36 oz. (1.0kg)

24 part: (619-24A):

- 7 oz. (.2kg) – 30 oz. (1.0kg)

### Dimensions:

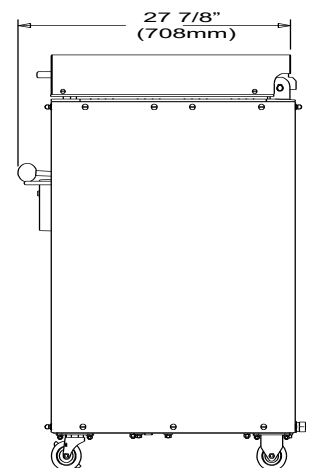
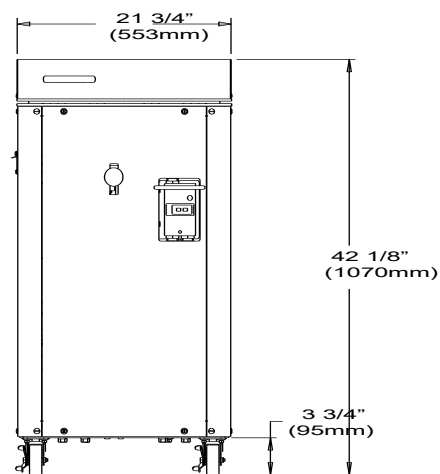
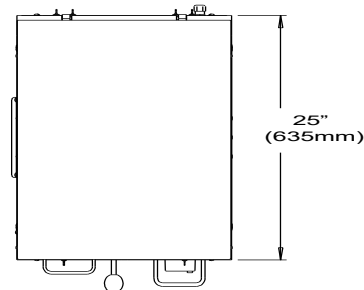
Shipping Weight: 650 lbs. (295kg)

Net Weight: 455 lbs. (250kg)

Height: 65" (1,651mm) with open lid

Width: 21 3/4" (553mm)

Depth: 29 1/2" (762mm) with open lid



The information contained herein is correct to the best of our knowledge. The recommendations or suggestions are made without guarantee or representation as to results. Above specifications subject to change without notice.



Manufactured in the U.S.A.