



## Semi-Automatic Bun/Divider Rounder

### Key Features:

- Solid cast iron and heavy gauge construction
- 3 plastic molding plates included
- Easy access to grease zirks – no oil required
- Casters available for easy mobility
- Available in 15 or 36 part (must specify)
- Portion size for 15 part:
  - 2.5 oz—8.25 oz approximately
- Portion size for 36 part
  - 1 oz—3.5 oz approximately
- Head tilts in both directions for easy cleaning
- Accurately scales and rounds individual dough pieces



The information contained herein is correct to the best of our knowledge. The recommendations or suggestions are made without guarantee or representation as to results.

Above specifications subject to change without notice.



**Manufactured in the U.S.A.**



## Semi-Automatic Bun/Divider Rounder

### SPECIFICATIONS:

#### Motor:

3/4 H.P., single phase, 60 Hz, 115 VAC,  
10 AMPS – ETL listed

3/4 H.P., single phase, 60Hz, 230 VAC,  
5 AMPS, Full Load – ETL listed

Special electrics also available

#### Shipping Weight:

800 lbs. (363kg)

#### Net Weight:

715 lbs. (324kg)

#### Height:

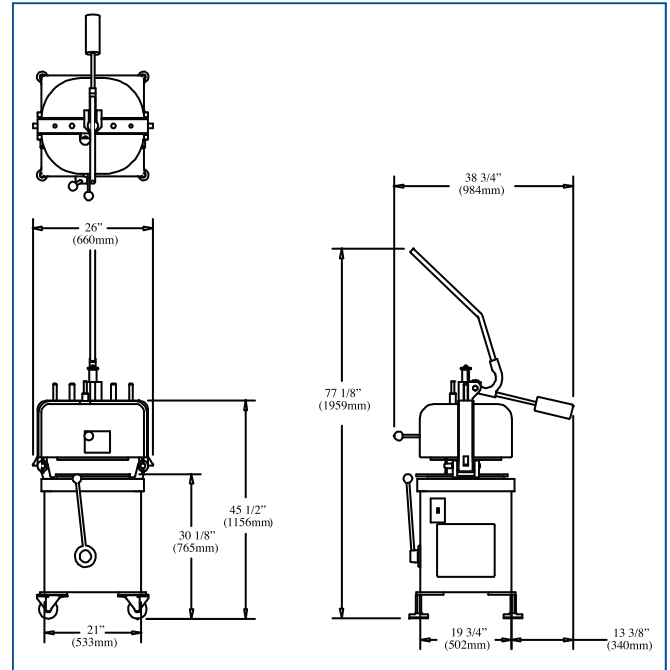
77 1/8" (1959mm)

#### Width:

33 1/8" (956mm)

#### Length:

26" (660mm)



**Manufactured in the U.S.A.**