



Bagel & Bun Series - Gourmet Slicer

Key Features:

- Ideal for larger product, up to 6 3/4" wide
- Adjustable to handle a variety of bun shapes and sizes including bowl bagels and oversized buns
- Compact, sturdy design with heavy duty base, ensures stability
- Exclusive "gentle-touch" door slows the exit of the bun to help prevent damage



The information contained herein is correct to the best of our knowledge. The recommendations or suggestions are made without guarantee or representation as to results.

Above specifications subject to change without notice.



Manufactured in the U.S.A.



Gourmet Slicer

SPECIFICATIONS:

½ H.P., single phase, 60 Hz, 115 VAC, 8.8 AMPS

½ H.P., single phase, 60 Hz, 230 VAC, 4.4 AMPS

½ H.P., single phase, 50 Hz, 220 VAC, 3.6 AMPS

Special electrics also available

Bun Height:

Up to 3" (76mm)

Bun Width:

For sliced through: Up to 6" (152mm)

For hinged: Up to 6 ¾" (172mm)

Hinge thickness: Up to ¾" (19mm)

Cutting height from bottom of bun:

5/8" (16mm) to 1-1/2" (38mm)

Blade Speed:

1,725 RPM

Finish:

Durable bakery white powder coat finish, wear resistant and easy to clean. Chute, blade, and all other contact parts are stainless steel

Shipping Weight:

Approx. 245 lbs. (111.2kg)

Net Weight:

Approx. 170 lbs. (77.1kg)

Height:

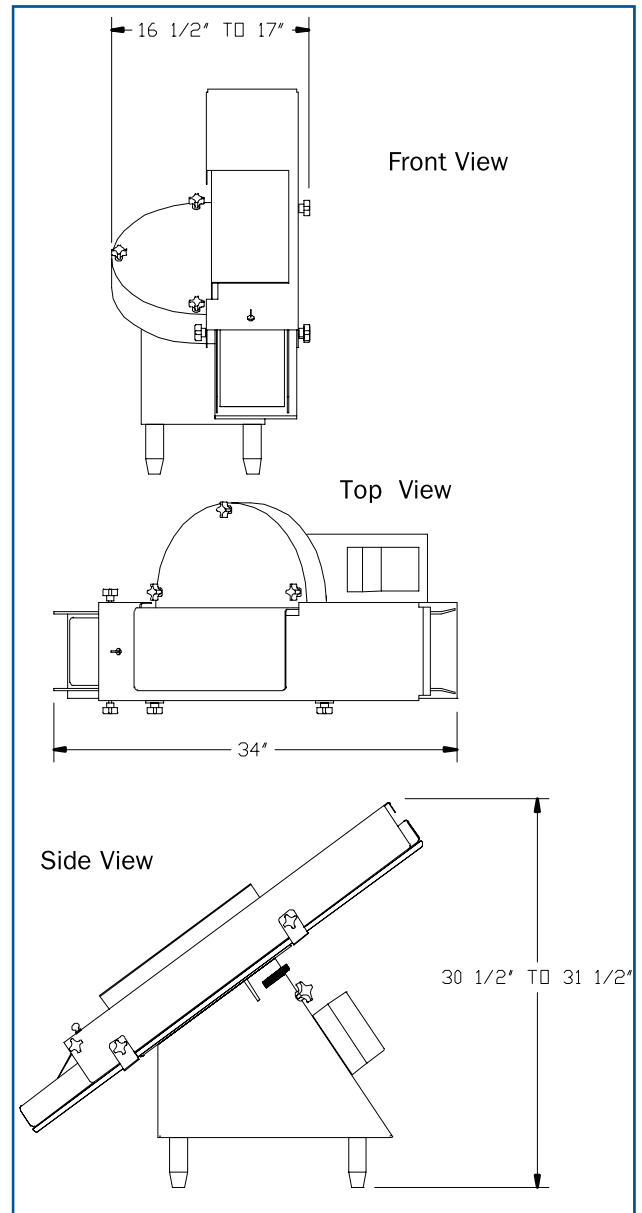
30 1/2" (775mm) to 31 1/2" (800mm)

Width:

16 1/2" (419mm) to 17" (432mm)

Length:

34" (864mm)



The information contained herein is correct to the best of our knowledge. The recommendations or suggestions are made without guarantee or representation as to results.

Above specifications subject to change without notice.

Manufactured in the U.S.A.