



Front Load Mini Slicer

Key Features:

- Perfect for on-demand slicing of hard-crusted breads and soft-textured sandwich loaves
- Smallest footprint bread slicer in the industry
- Easy-to-operate, with convenient, front-mounted push-button controls
- Front-mounted bagging scoop that makes for convenient bagging
- Blade advantages:
 - Uses the lowest cost replacement blades in the industry, contributing to low cost of ownership
 - Easily replaceable, independently mounted, rust-resistant blades
 - Blade replacement only takes one hour of labor, the lowest in the industry
- Smooth, quiet operation with minimal vibration
- Recommended for slicing up to 50 loaves per day



The information contained herein is correct to the best of our knowledge. The recommendations or suggestions are made without guarantee or representation as to results.

Above specifications subject to change without notice.



Manufactured in the U.S.A.



Front Load Mini Slicer

SPECIFICATIONS:

Motor:

Standard 1/5 H.P., 60 HZ, 115 VAC, 2 AMPS.

Other electrics also available

Construction:

Stainless steel contact parts

Loaves:

14 5/8" (371mm) long X 5 1/4" (133mm) wide X 4 1/2" (114mm) high Lower and wider products may also be sliced if care is exercised when loading product

Slice Spacing: (thickness):

Standard 3/8" (10mm), 7/16" (11mm), 1/2" (13mm), 5/8" (16mm)

Also available (at extra cost): 9/16" (14mm), 3/4" (19mm), or 1" (25mm)

Shipping weight:

160 lbs (61kg)

Net weight:

128 lbs. (56kg)

Height:

14-1/2" (368mm)

Width:

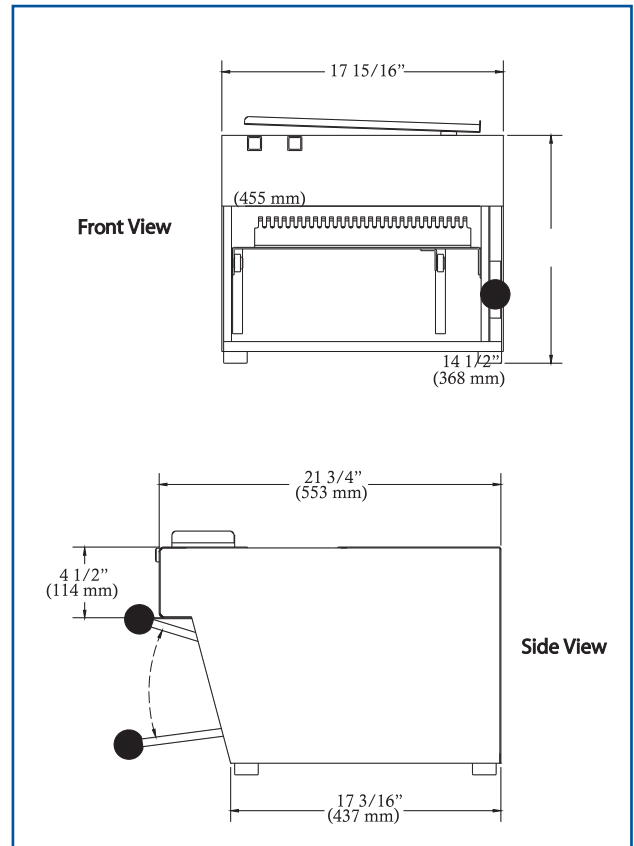
17-15/16" (456mm)

Depth:

21-3/4" (553mm)

Optional:

Stand



The information contained herein is correct to the best of our knowledge. The recommendations or suggestions are made without guarantee or representation as to results.

Above specifications subject to change without notice.

Manufactured in the U.S.A.