



3236 Wilson Drive NW, Walker, MI 49534  
800-253-3893 | www.oliverquality.com

# 723 Bagel-Bun

## Bagel and Bun Slicer

Model 723-N

### KEY FEATURES

Cleanly slices bagels and buns with ease

Compact, robust design for ease of operation

Separate On/Off buttons for easy operation

Adjustable slice height setting

Easy to remove blade cover with underside access eliminates need to remove blade for cleaning

Blade safety guard incorporates automatic power-down feature when removed

Exclusive gentle-touch exit door slows sliced product delivery, preventing damage to softer product

Optional return chute saves counter space and creates a production system for larger orders



Optional Return Chute

Made in the U.S.A.



Above specifications subject to change without notice. The information contained herein is correct as of the date hereof. Recommendations or suggestions are made without guarantee or representation as to results.

04.04.22



3236 Wilson Drive NW, Walker, MI 49534  
800-253-3893 | www.oliverquality.com

# 723 Bagel-Bun

Bagel and Bun Slicer

Model 723-N

## PRODUCT SPECIFICATIONS

### Electrical Standard:

1-phase, 60hz, 115VAC, 6.8-Amps

**Maximum Bun Height:** 3" (76mm)

### Maximum Bun Width:

For slice through: 4-3/8" (111mm)

For hinged: 4-7/8" (124mm)

### Hinge Thickness:

Adjustable up to 1/2" (13mm)

**Cutting Height:** (bottom slice thickness)

5/8" (16mm) to 1-1/2" (38mm)

### Finish:

Stainless steel contact components and food-safe materials throughout

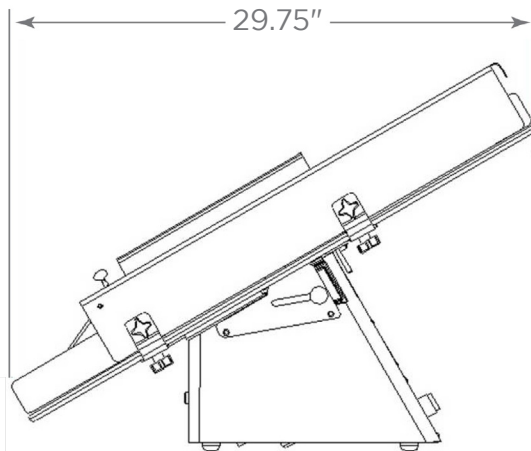
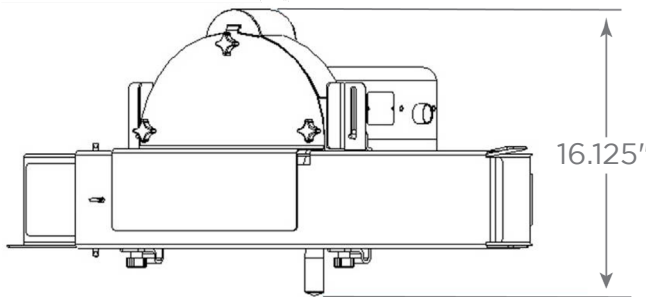
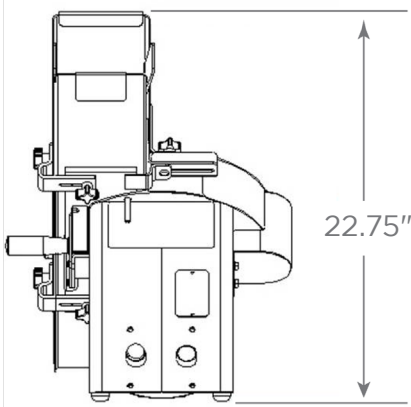
**Net Weight:** 105lbs (47.6kg)

**Shipping Weight:** 120lbs (54.5kg)

### Dimensions:

H-22.75" x W-16.125" x D-29.75"

**Warranty:** Standard 1-year



Made in the U.S.A.



Above specifications subject to change without notice. The information contained herein is correct as of the date hereof. Recommendations or suggestions are made without guarantee or representation as to results.

04.04.22