



3236 Wilson Drive NW, Walker, MI 49534
800-253-3893 | www.oliverquality.com

732 Front Load

On-Demand Bread Slicer

Model 732-N



KEY FEATURES

Perfect for on-demand slicing of hard-crustrated artisan breads and soft-textured sandwich loaves

Small footprint at less than 27" wide

Large bread capacity - up to 16" wide loaves

Easy-to-operate, with convenient, front-mounted push-button controls

Front-mounted bagging scoop adjusts for smaller loaves makes for convenient bagging

Smooth, quiet operation with minimal vibration



Slicer shown with optional stainless-steel cart

Made in the U.S.A.



Above specifications subject to change without notice. The information contained herein is correct as of the date hereof. Recommendations or suggestions are made without guarantee or representation as to results.

04.04.22

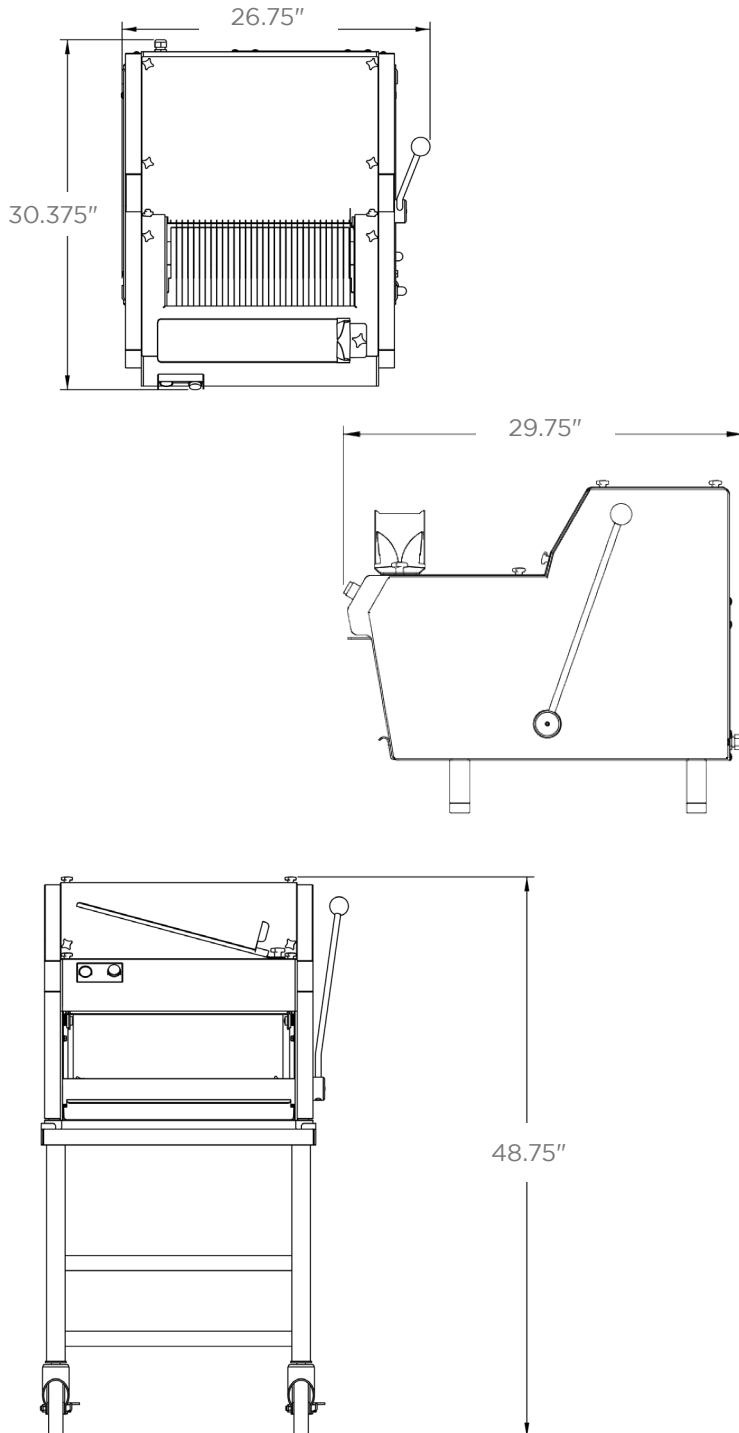


3236 Wilson Drive NW, Walker, MI 49534
800-253-3893 | www.oliverquality.com

732 Front Load

On-Demand Bread Slicer

Model 732-N



PRODUCT SPECIFICATIONS

Electrical Standard:

1-phase, 60hz, 115VAC, 7-Amps

Maximum Loaf Size:

L-16" (406mm) X W-9" (228mm)
X H-5.5" (140mm)

Finish:

Stainless steel contact components
and food-safe materials throughout

Dimensions:

Unit: H-30.375" x W-26.75" x D-29.75"
Unit with Cart: H-48.75"

Net Weight: 250lbs (114kg)

Shipping Weight: 320lbs (145kg)

Includes One Slice Thickness Option:

3/8" (10mm), 7/16" (11mm),
1/2" (13mm), 5/8" (16mm)

Warranty: 2-year parts and labor

Made in the U.S.A.



Above specifications subject to change without notice. The information contained herein is correct as of the date hereof. Recommendations or suggestions are made without guarantee or representation as to results.

04.04.22