

## Front Load Standard Slicer

### Key Features:

- Perfect for on-demand slicing of hard-crustured breads and soft-textured sandwich loaves
- Smallest footprint - less than 24" wide
- Large bread capacity - up to 16" loaves
- Easy-to-operate, with convenient, front-mounted push-button controls
- Front-mounted bagging scoop that adjusts for smaller loaves makes for convenient bagging
- Blade advantages:
  - Uses the lowest cost replacement blades in the industry, contributing to low cost of ownership
  - Easily replaceable, independently mounted, rust-resistant blades
  - Blade replacement only takes one hour of labor, the lowest in the industry
- Smooth, quiet operation with minimal vibration



Front-Load Slicer with optional stainless steel stand



Above specifications subject to change without notice. The information contained herein is correct as of the date hereof.

Recommendations or suggestions are made without guarantee or representation as to results.



# Front Load Standard Slicer

## Specifications:

### Motor / Electric:

1/2 H.P., single phase, 60 HZ, 115 VAC, 7 AMPS.

### Capacities:

16" (406mm) long X 9" (228mm) wide X 5 1/2" (140 mm) high

### Finish:

Stainless steel contact components and food-safe materials throughout

### Slice Spacing:

Standard 3/8" (10mm), 7/16" (11mm), 1/2" (13mm), 5/8" (16mm)

### Shipping Weight:

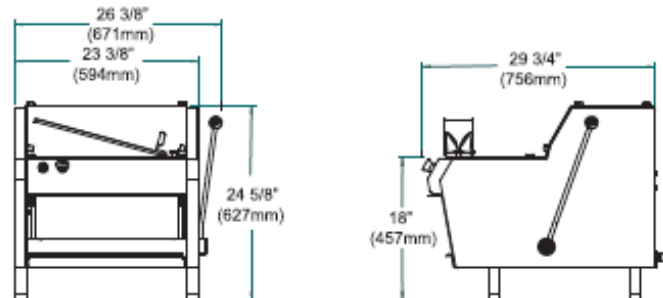
320 lbs. (145kg)

### Net Weight:

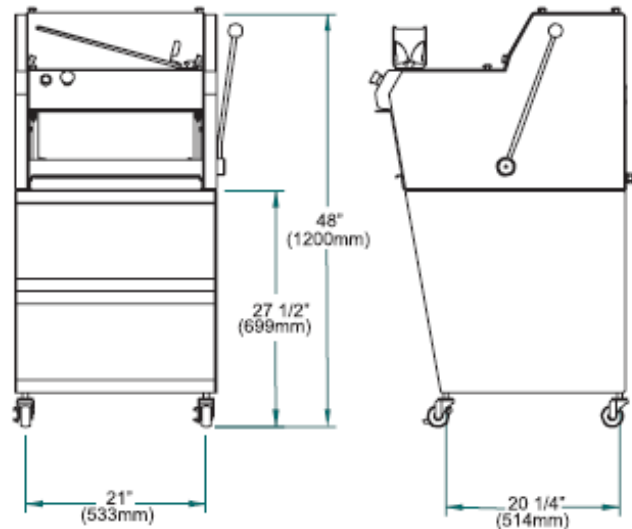
250 lbs. (114kg)

### Dimensions (see drawings at right):

**Slicer (On countertop)**



**Optional stand (4" legs powder coated steel not required with stand)**



Above specifications subject to change without notice. The information contained herein is correct as of the date hereof. Recommendations or suggestions are made without guarantee or representation as to results.



Manufactured in the U.S.A.