



Model 732-N

Front Load Standard Slicer

Key Features:

- Perfect for on-demand slicing of hard-crustured breads and soft-textured sandwich loaves
- Smallest footprint - less than 24" wide
- Large bread capacity - up to 16" loaves
- Easy-to-operate, with convenient, front-mounted push-button controls
- Front-mounted bagging scoop that adjusts for smaller loaves makes for convenient bagging
- Blade advantages:
 - Uses the lowest cost replacement blades in the industry, contributing to low cost of ownership
 - Easily replaceable, independently mounted, rust-resistant blades
 - Blade replacement only takes one hour of labor, the lowest in the industry
- Smooth, quiet operation with minimal vibration



Front-Load Slicer with optional stainless steel stand



The information contained herein is correct to the best of our knowledge. The recommendations or suggestions are made without guarantee or representation as to results.

Above specifications subject to change without notice.



Manufactured in the U.S.A.



Model 732-N

Front Load Standard Slicer

Specifications:

Motor / Electric:

1/2 H.P., single phase, 60 HZ, 115 VAC, 7 AMPS.

Capacities:

16" (406mm) long X 9" (228mm) wide X 5 1/2" (140 mm) high

Finish:

Stainless steel contact components and food-safe materials throughout

Slice Spacing:

Standard 3/8" (10mm), 7/16" (11mm), 1/2" (13mm), 5/8" (16mm)

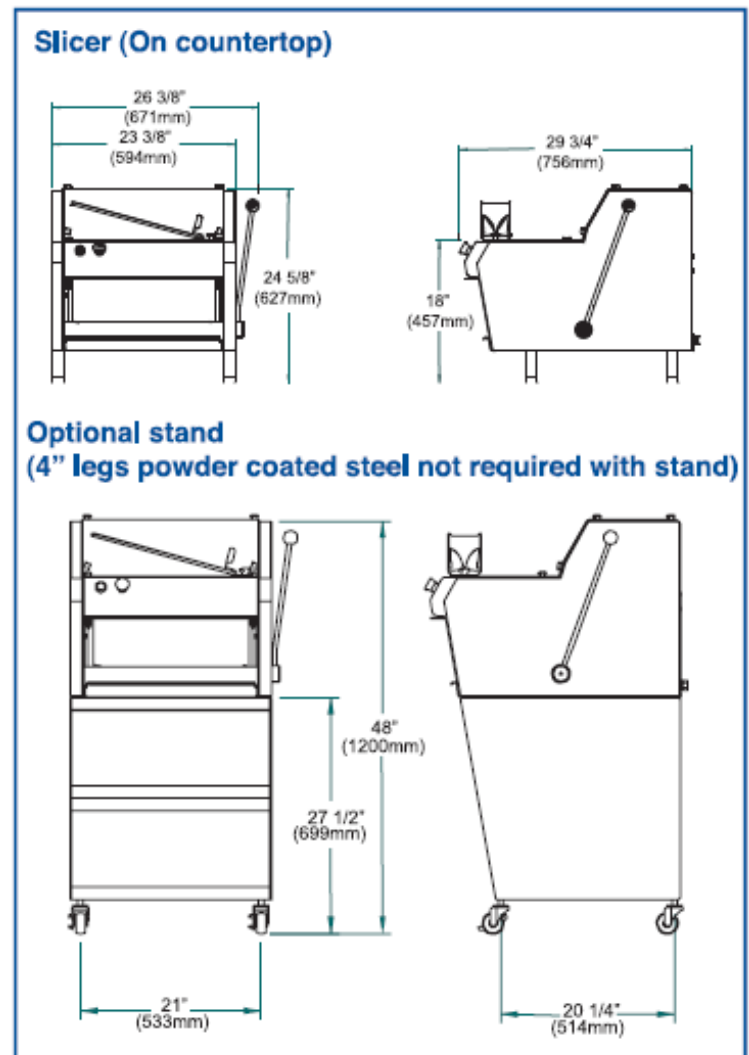
Shipping Weight:

320 lbs. (145kg)

Net Weight:

250 lbs. (114kg)

Dimensions (see drawings at right):



The information contained herein is correct to the best of our knowledge. The recommendations or suggestions are made without guarantee or representation as to results.

Above specifications subject to change without notice.



Manufactured in the U.S.A.