



## Mini-Chip Slicer

### Benefits:

- Creates revenue stream from bakery shrink
- Safe alternative to other slicing methods
- Bagel ring insert slices three bagels at one time into rings
- Create branding/merchandising of healthy snack options in bakery
- Combine with hummus, cheese spread, or cream cheese for additional incremental sales
- Less than 12 month ROI for minimal daily sales

### Key Features:

- Compact counter top design
- Versatility in one machine - two slice styles - chips or rings
- Blade frame safety guard makes cleaning safe and easy
- Blade frame cartridge replacement eliminates blade change service calls
- Tool-free disassembly for easy cleaning of food contact surfaces
- Simplified process keeps labor cost low
- Simple three step operation
  - Raise handle
  - Place up to three bagels vertically
  - Lower handle – gravity feed eliminates need for operator to apply pressure
- Cycle counter-visual reminder for timely blade changes



**Manufactured in the U.S.A.**



## Mini-Chip Slicer

### SPECIFICATIONS:

**Electric:**

1 phase, 60 Hz, 115 VAC, 4 Amps.

**Maximum Product:**

5" L x 4.5" W x 1.75" H

**Finish:**

Stainless and painted steel

**Slice Spacing:**

3/16" (4.76mm)

1/4" (6.35mm)

1/2" (12.7mm)

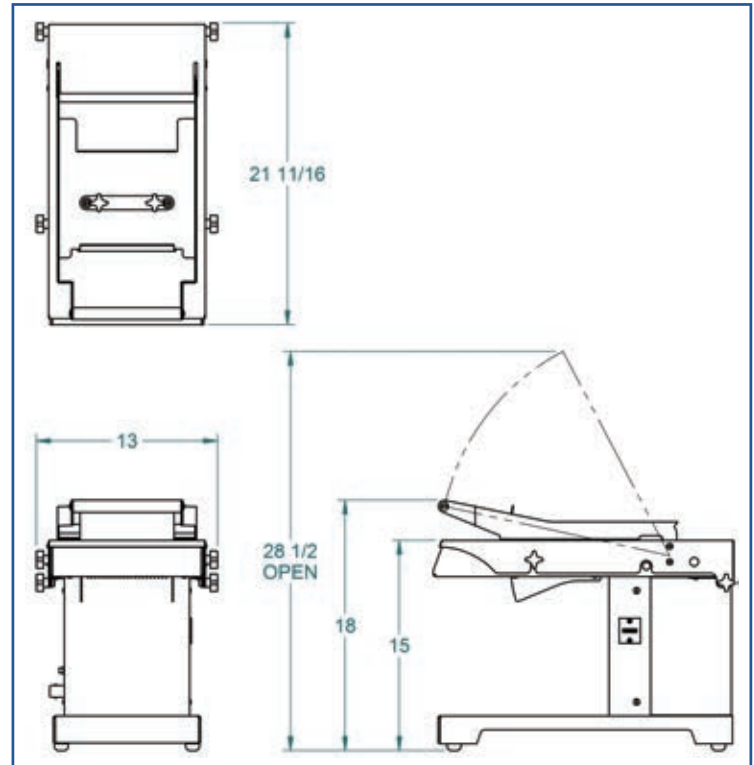
**Dimensions:**

See drawing at right

**Weight:**

Shipping Weight: 100 lbs (approximate)

Net Weight: 80 lbs (approximate)



The information contained herein is correct to the best of our knowledge. The recommendations or suggestions are made without guarantee or representation as to results.

Above specifications subject to change without notice.

**Manufactured in the U.S.A.**