



3236 Wilson Drive NW, Walker, MI 49534
800-253-3893 | www.oliverquality.com



OLIVER | SELECT™

On-Demand Bread Slicer

Model 747-N

KEY FEATURES

Newly designed infeed creates an intuitive, easy loading process

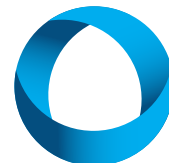
Improved crumb collection drawer with funnel effect.

Built-in storage for easy access to blade sets & tools

Patent-Pending blade-change system allows for faster and easier blade changes. Blades are pre-loaded at the factory in clear plastic cartridges, eliminating the need to handle sharp blades individually.



Slicing width blade-frame conversion kits available in 3/8", 1/2", and 5/8".



5-YEAR WARRANTY*

* Standard one year warranty included. Extended limited warranty requires registration of slicer at: <https://opec.oliverquality.com/fe-equip-reg/> within one year after shipment. Extended limited warranty shall be void if equipment is not registered.

Made in the U.S.A.



Above specifications subject to change without notice. The information contained herein is correct as of the date hereof. Recommendations or suggestions are made without guarantee or representation as to results.

09.30.22



3236 Wilson Drive NW, Walker, MI 49534
800-253-3893 | www.oliverbreadslicers.com

OLIVER | Select™

On-Demand Bread Slicer

Model 747-N

PRODUCT SPECIFICATIONS

Electrical Standard:

1-phase, 60hz, 115VAC, 7-Amps

Maximum Loaf Size:

L-16" x W-10.5" x H-2.25" - 6"

Finish:

Stainless steel contact components and food-safe materials throughout

Dimensions:

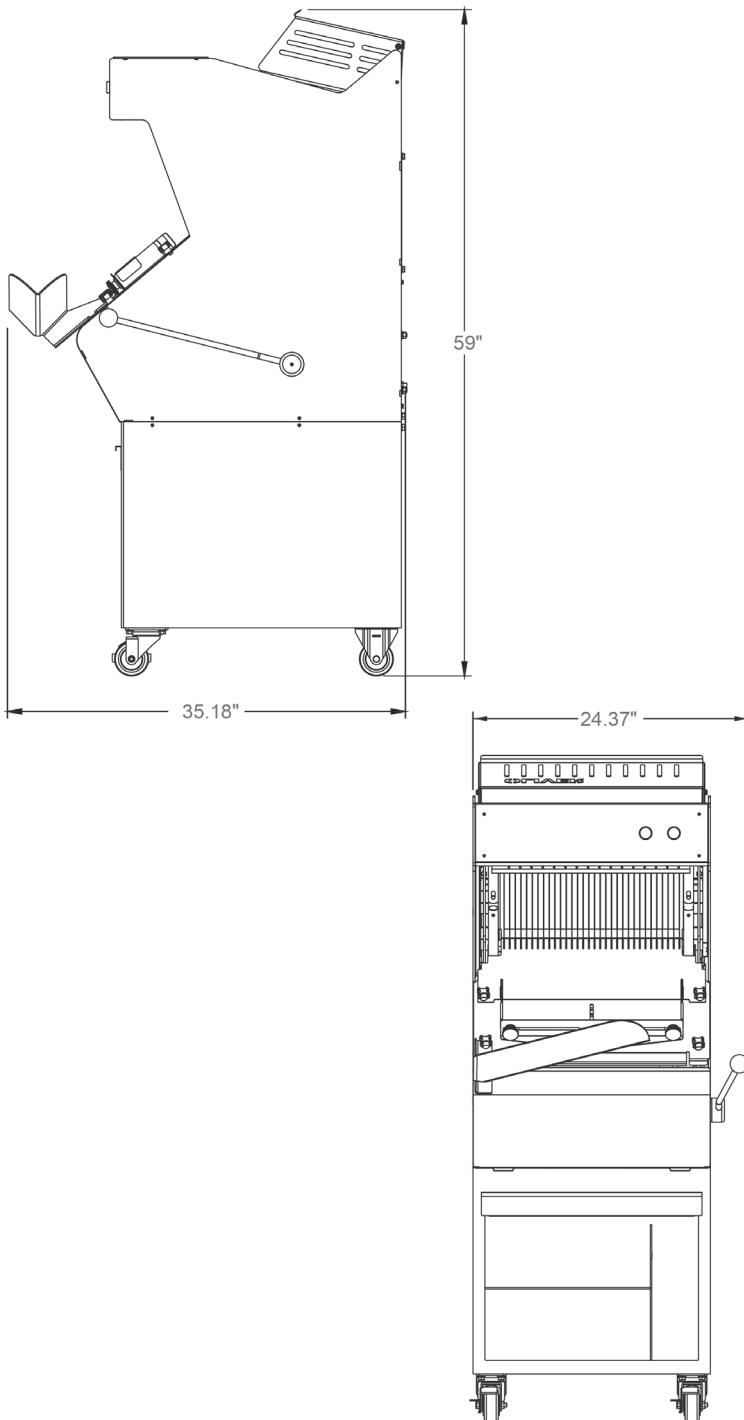
H-59" x W-24.37" x D-35.18"

Net Weight: 465 lb (211 kg)

Shipping Weight: 515 lb (234 kg)

Slicing Blade Frame Options:

3/8" (10mm) or 1/2" (13mm) and 5/8" (16mm)



Made in the U.S.A.



Above specifications subject to change without notice. The information contained herein is correct as of the date hereof. Recommendations or suggestions are made without guarantee or representation as to results.

09.30.22