

Front Load Duo-Slicer

Key Features:

- Two slice thickness options in one machine
- Provide customer options using 50% less energy in 25% less space
- Perfect for on-demand slicing of hard-crustured breads and soft-textured sandwich loaves
- Large bread capacity—13” loaves per slice thickness
- Easy to operate with convenient, front-mounted push button controls
- Blade advantages:
 - Uses the lowest cost replacement blades in the industry, contributing to low cost of ownership
 - Easily replaceable, independently mounted, rust-resistant blades
 - Blade replacement only takes one hour of labor, the lowest in the industry
- Smooth, quiet operation with minimal vibration



Above specifications subject to change without notice. The information contained herein is correct as of the date hereof. Recommendations or suggestions are made without guarantee or representation as to results.



Manufactured in the U.S.A.

Front Load Duo-Slicer

Specifications:

Motor / Electric:

1 phase, 60 HZ, 115 VAC, 7 AMPS

Maximum Product: (dimensions per side)

13" (330mm) long X 5.5" (140mm) wide X 5.5" (140 mm) high

Finish:

Stainless steel contact components and food-safe materials throughout

Slice Spacing:

Standard options: 1/2" (13mm), 3/4" (19mm)
Positioned in slicer 3/4" on left, 1/2" on right when facing machine

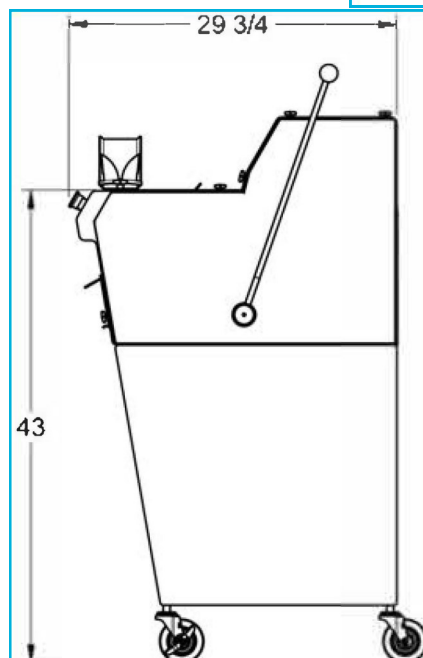
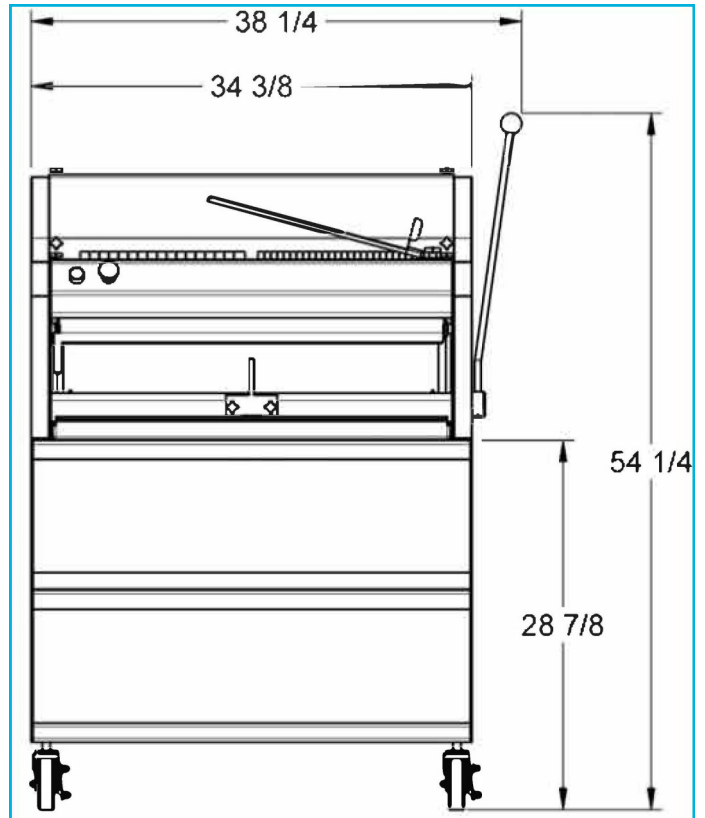
Shipping Weight:

575 lbs. (260kg)

Net Weight:

450 lbs. (204kg)

Dimensions (see drawings at right):



Above specifications subject to change without notice. The information contained herein is correct as of the date hereof. Recommendations or suggestions are made without guarantee or representation as to results.



Manufactured in the U.S.A.