



Model 758-N

## Front Load Duo-Slicer

### Key Features:

- Two slice thickness options in one machine
- Provide customer options using 50% less energy in 25% less space
- Perfect for on-demand slicing of hard-crustured breads and soft-textured sandwich loaves
- Large bread capacity—13” loaves per slice thickness
- Easy to operate with convenient, front-mounted push button controls
- Blade advantages:
  - Uses the lowest cost replacement blades in the industry, contributing to low cost of ownership
  - Easily replaceable, independently mounted, rust-resistant blades
  - Blade replacement only takes one hour of labor, the lowest in the industry
- Smooth, quiet operation with minimal vibration



The information contained herein is correct to the best of our knowledge. The recommendations or suggestions are made without guarantee or representation as to results.

Above specifications subject to change without notice.



Manufactured in the U.S.A.



Model 758-N

## Front Load Duo-Slicer Specifications:

### Motor / Electric:

1 phase, 60 HZ, 115 VAC, 7 AMPS

### Maximum Product: (dimensions per side)

13" (330mm) long X 5.5" (140mm) wide X 5.5" (140 mm) high

### Finish:

Stainless steel contact components and food-safe materials throughout

### Slice Spacing:

Standard options: 1/2" (13mm), 3/4" (19mm)  
Positioned in slicer 3/4" on left, 1/2" on right when facing machine

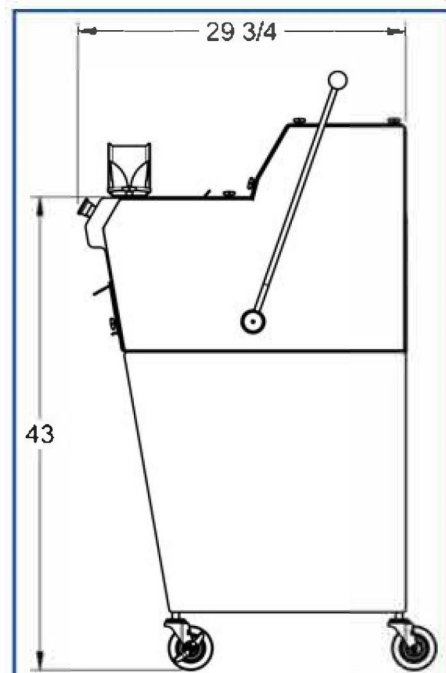
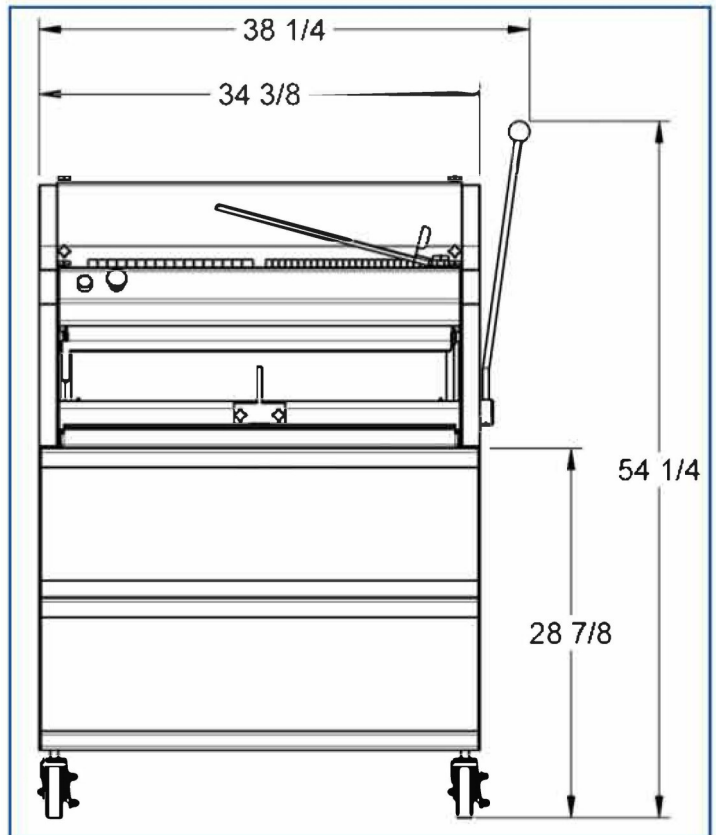
### Shipping Weight:

575 lbs. (260kg)

### Net Weight:

450 lbs. (204kg)

### Dimensions (see drawings at right):



The information contained herein is correct to the best of our knowledge. The recommendations or suggestions are made without guarantee or representation as to results.

Above specifications subject to change without notice.



Manufactured in the U.S.A.