



Model 797-N

Gravity Feed Bread Slicer

Key Features:

- Batch slicing for higher volume retail and in-store bakeries
- 32" infeed chute with ProGuard and single loaf pusher.
- 16" wide infeed chute
- ProGuard feature supports industry safety guidelines.
- Single loaf pusher gently and safely guides loaf in to slicing blades
- Easily switch to On-demand, single loaf slicing with single loaf pusher
- Heavy duty casters



The information contained herein is correct to the best of our knowledge. The recommendations or suggestions are made without guarantee or representation as to results. Above specifications subject to change without notice.



Manufactured in the U.S.A.



Model 797-N

Gravity Feed Slicer

Specifications:

Motor / Electric:

1/2 H.P single phase, 60 HZ, 115 VAC,
7 AMPS

Capacities:

Loaves up to 16" L and 2 1/4" to 5" H

Finish:

Stainless steel contact components and
food-safe materials throughout

Standard Slice Spacing:

3/8" (10mm), 7/16" (11mm)

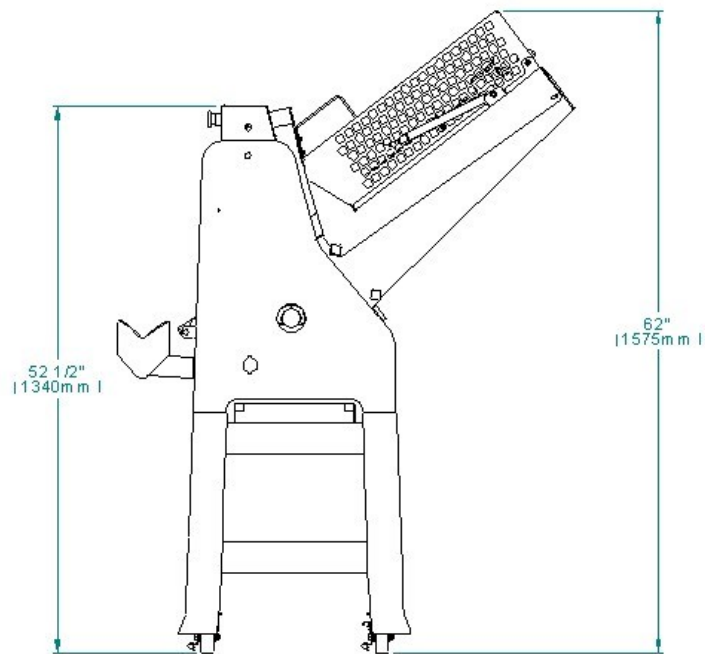
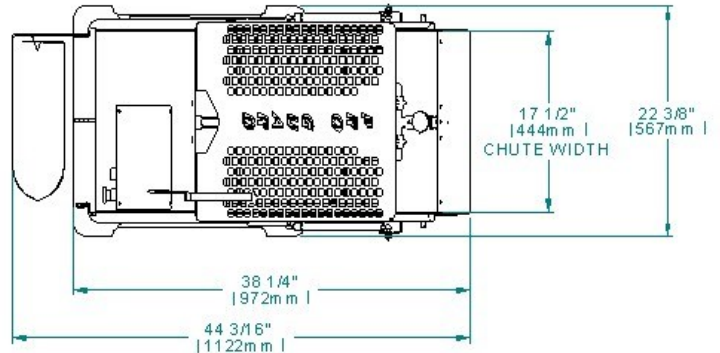
1/2" (13mm), 5/8" (16mm)

Ship Weight 320 lbs. (145kg)

Height: 62"

Width: 22.75"

Depth: 44.25"



The information contained herein is correct to the best of our knowledge. The recommendations or suggestions are made without guarantee or representation as to results. Above specifications subject to change without notice.

