



Model 918-N

SimpleSlice®

PRO-SERVE SLICER

Key Features:

- Bakery staff model
- Intuitive top - load style
- Lower ergonomic profile
- Automatic push button operation
- Sleek, contemporary design
- Slices loaves up to 18" wide
- Integrated bag tie holder
- Blade replacement indicator light
- Recommended for slicing up to 520 loaves per hour



The information contained herein is correct to the best of our knowledge. The recommendations or suggestions are made without guarantee or representation as to results.

Above specifications subject to change without notice.



Manufactured in the U.S.A.



Model 918-N

SimpleSlice®

PRO-SERVE SLICER

Specifications:

Electric:

One phase, 60 HZ, 115 VAC, 6 AMPS.

Maximum Product:

18"L (457 mm) x 8 3/4"W (222 mm) x 5 1/4"H (133 mm)

Slice Spacing:

Standard Options:

3/8" (10mm), 1/2" (13mm), 5/8" (16mm),
3/4" (19mm)

Available at extra cost: 7/16", 9/16", 1"

Estimated Shipping Weight:

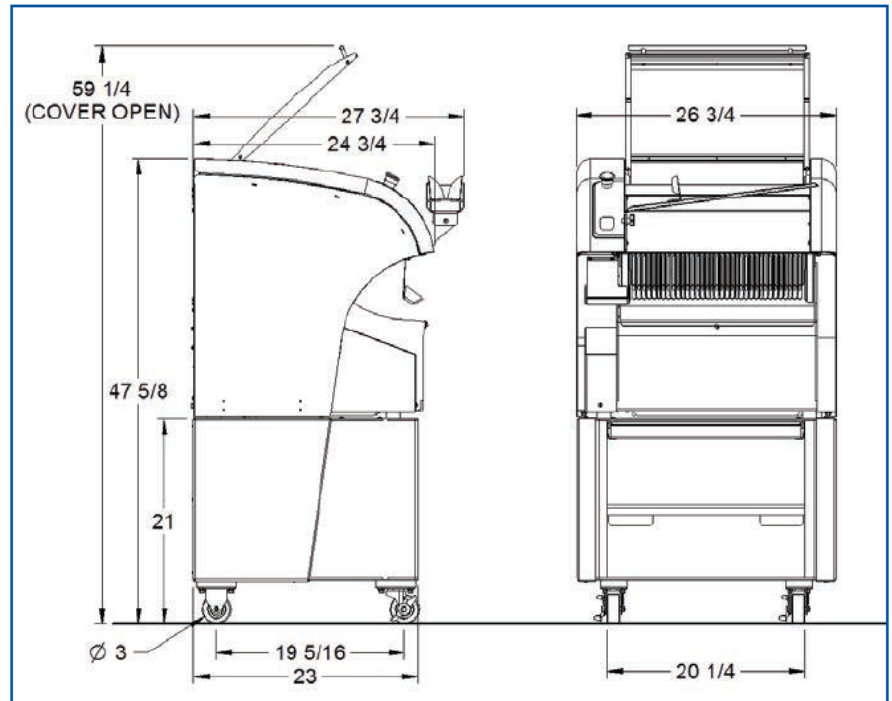
575 lbs. (260kg) includes stand

Estimated Net Weight:

500 lbs. (227kg) includes stand

Dimensions:

(Reference drawings at right)



The information contained herein is correct to the best of our knowledge. The recommendations or suggestions are made without guarantee or representation as to results.

Above specifications subject to change without notice.



Manufactured in the U.S.A.