

SimpleSlice[®]

Self-Serve Slicer

Model 938-N



KEY FEATURES

Self-Service Model with pictorial step-by-step slicing guide for customers

Intuitive top-load style

Lower ergonomic profile

Automatic push button operation

Sleek, contemporary design

Slices loaves up to 18" wide

Integrated bag tie holder

Infeed and outfeed guards encapsulates loaf during slicing process

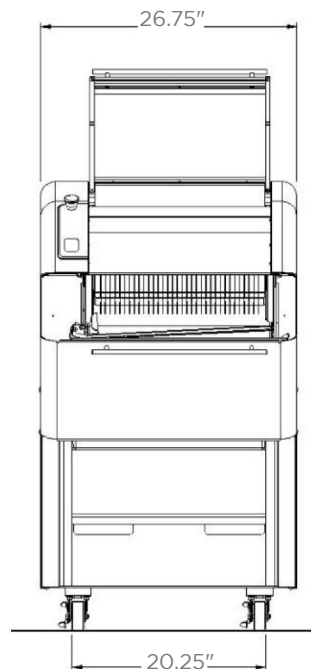
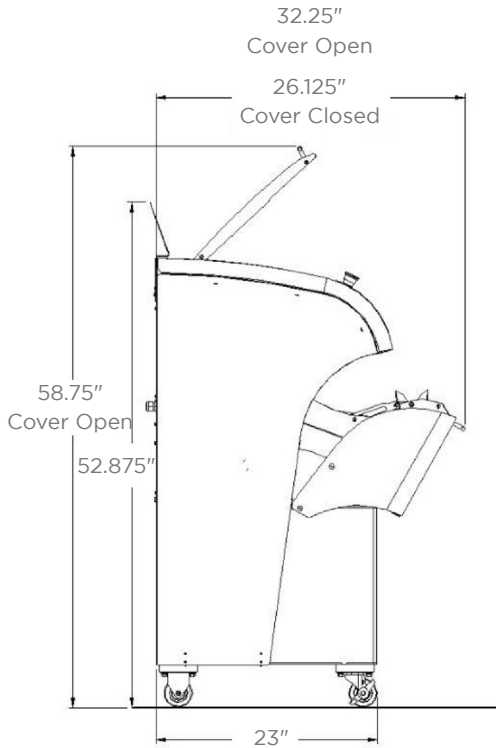
Blade replacement indicator light

Made in the U.S.A.

SimpleSlice[®]

Self-Serve Slicer

Model 938-N



PRODUCT SPECIFICATIONS

Electrical Standard:

1-phase, 60hz, 115VAC, 6-Amps

Maximum Loaf Size:

L-18" x W-8.75" x H-5.25"

Finish:

Stainless steel contact components
and food-safe materials throughout

Net Weight: 520lbs (236kg)

Shipping Weight: 595lbs (270kg)

Dimensions:

H-58.75" x W-26.75" x D-23"

Slicing Spacing Available: 1/2" (13mm) only

Warranty: Standard 1-year

Made in the U.S.A.