

SimpleSlice Self-Serve Slicer

Key Features:

- Self - service model
- Intuitive top - load style
- Lower ergonomic profile
- Automatic push button operation
- Sleek, contemporary design
- Slices loaves up to 18" wide
- Integrated bag tie holder
- Pictorial step-by-step instructions guide consumer through slicing process
- Infeed and outfeed guards encapsulate bread loaf during slicing process
- Blade replacement indicator light



Above specifications subject to change without notice.
The information contained herein is correct as of the date hereof.
Recommendations or suggestions are made without guarantee or representation as to results.



SimpleSlice Self-Serve Slicer

Specifications:

Motor / Electric:

One phase, 60 HZ, 115 VAC, 6 AMPS.

Maximum Product:

18" L (457 mm) x 8.75" W (222 mm) x 5.25" H (133 mm)

Standard Slice Spacing:

1/2" (13mm)

Estimated Shipping Weight:

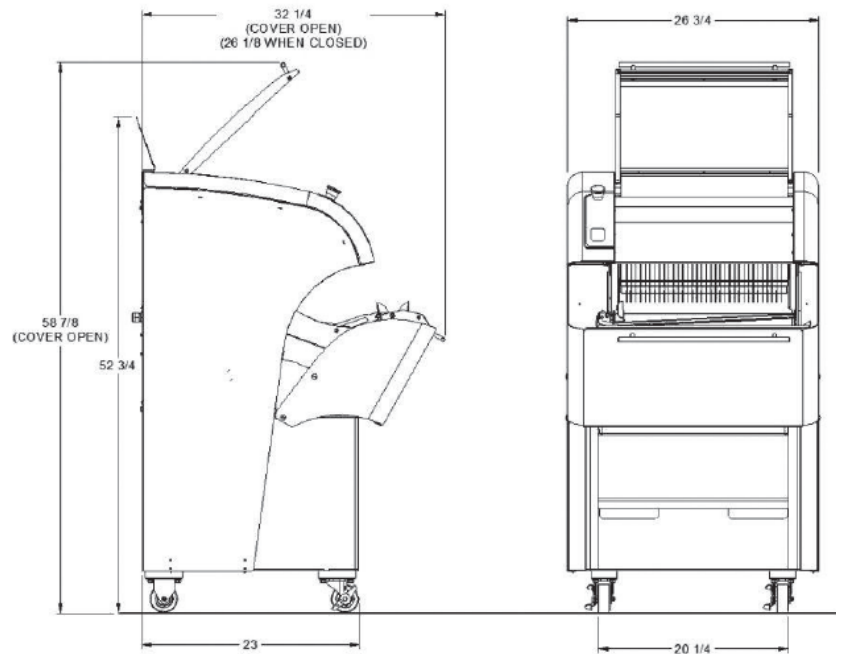
595 lbs. (270kg) includes stand

Estimated Net Weight:

520 lbs. (236kg) includes stand

Dimensions:

(Reference drawings at right)



Above specifications subject to change without notice.
The information contained herein is correct as of the date hereof.
Recommendations or suggestions are made without guarantee or representation as to results.

