



Model 938-N

# SimpleSlice®

SELF-SERVE SLICER

## Key Features:

- Self - service model
- Intuitive top - load style
- Lower ergonomic profile
- Automatic push button operation
- Sleek, contemporary design
- Slices loaves up to 18" wide
- Integrated bag tie holder
- Pictorial step-by-step instructions guide consumer through slicing process
- Infeed and outfeed guards encapsulate bread loaf during slicing process
- Blade replacement indicator light



The information contained herein is correct to the best of our knowledge. The recommendations or suggestions are made without guarantee or representation as to results.

Above specifications subject to change without notice.



Manufactured in the U.S.A.



Model 938-N

# SimpleSlice®

SELF-SERVE SLICER

## Specifications:

### Motor / Electric:

One phase, 60 HZ, 115 VAC, 6 AMPS.

### Maximum Product:

18"L (457 mm) x 8.75"W (222 mm) x 5.25"H (133 mm)

### Standard Slice Spacing:

1/2" (13mm)

### Estimated Shipping Weight:

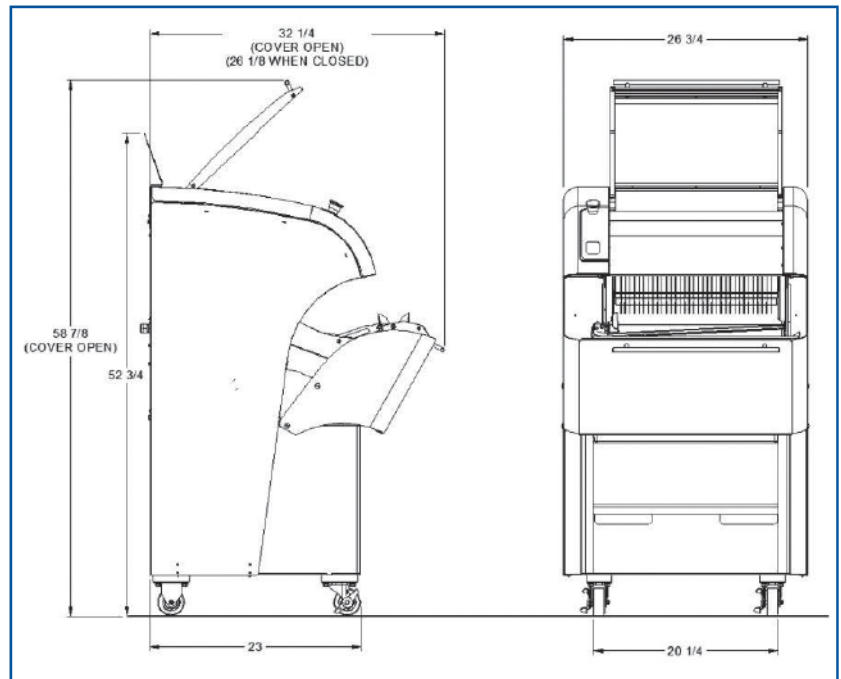
595 lbs. (270kg) includes stand

### Estimated Net Weight:

520 lbs. (236kg) includes stand

### Dimensions:

(Reference drawings at right)



The information contained herein is correct to the best of our knowledge. The recommendations or suggestions are made without guarantee or representation as to results.

Above specifications subject to change without notice.



Manufactured in the U.S.A.