



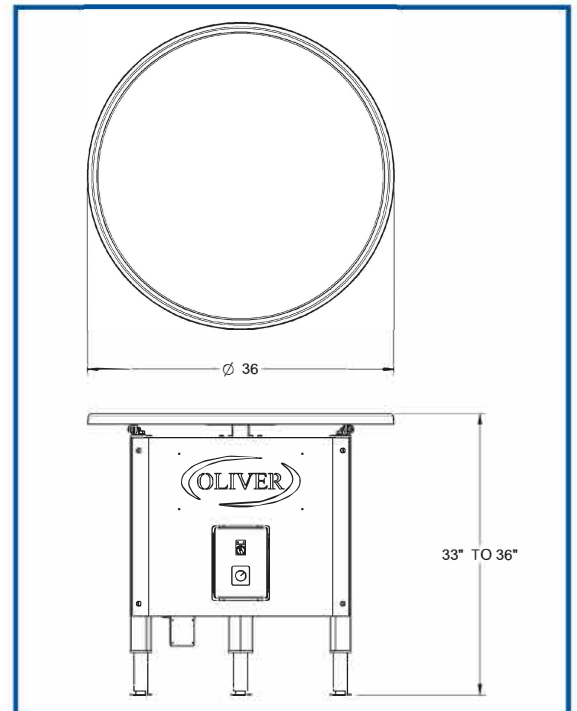
Rotary Tray Accumulator

Key Features:

- Compact accessory compliments conveyor meal packaging equipment
- Adjustable speed for controlled off-loading of sealed trays
- Adjustable height creates flexibility
- Food grade plastic turntable - easy to clean
- Constructed with painted and stainless steel
- All-stainless steel option available for custom trayveyor systems

Specifications:

- Product Capacity: supports up to 25 lbs of product
- Shipping Weight: 175 lbs.
- Net Weight: 125 lbs.
- Dimensions:
 - 36" diameter
 - 33-36" adjustable height /available with casters
- Electrical: 15 VAC, 60 Hz, 115 VAC, 2 Amps



Manufactured in the U.S.A.