

## Speedseal® LX

### Key Features:

- Custom machines available to meet special packaging requirements
- Color touch screen operator interface (HMI)
- Designed to use custom-printed registered, random repeat or unprinted film lidding
- For use with flat-flanged plastic and paper-board trays
- Quick and easily interchangeable tray carriers for various tray sizes
- Seals packages up to 500 inches per minute \*
- Efficient continuous motion sealing ensures high quality and consistently sealed packages
- Speed and temperature controls are easily adjustable
- Streamlined design makes for easy integration into food production/packaging line.
- Stainless steel and anodized aluminum construction
- Dual lane option available



### Benefits:

- Custom printed and die-cut lidded trays to maximize product merchandising
- Lowers packaging costs (film lidding vs snap-cover domes)
- Full turnkey packages available

\* to calculate speed: 500"/ length of tray through machine = trays / minute

Above specifications subject to change without notice.  
The information contained herein is correct as of the date hereof.

# Speedseal® LX

## Specifications:

### Construction:

Model 54-1000 series Trayveyor features stainless steel frame and base construction for low maintenance and ease of cleaning. A PLC precisely controls the sealer for maximum output.

### Model 54-100 series:

Trayveyor is designed for flat-flanged plastic and paperboard trays. The tray carriers are made of anodized aluminum for durability.

Overall Length: 192"

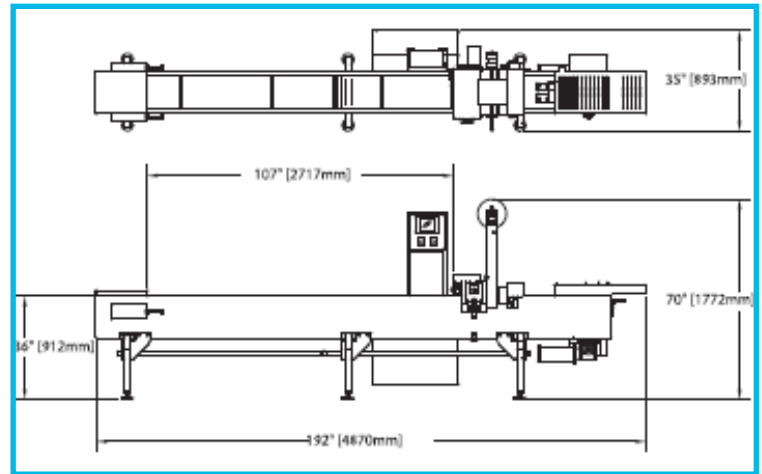
Overall Width: 35"

Overall Operating Height: 36"

Overall Height: 70"

Usable Infeed Length: 107"

*Dimensions are estimated, subject to change based on custom options.*



### Electrics:

3PH, 208 VAC, 60 Hz, 30 AMPS

\*Other electrics available

### Air Supply:

80 PSI

### Maximum Tray Dimensions:

8.5" W x minimum of 3.5" up to 14" Long (in 1/2" increments) x 3" Deep

Optional 12" roller will seal trays 10" wide

### Maximum Film Roll Diameter:

10", Printed/unprinted roll core diameter 3"

### Accessory Equipment:

- Gas Flush
- Automatic Tray Denester
- Check Weigher
- Infeed/Outfeed Conveyors
- Depositor
- Date Coder
- X-Ray
- Metal Detector
- In-Line Label Printers
- Load Shelves
- Service/Maintenance Agreement
- Removable Catch Pans
- Rotary Tray Accumulator
- Printed film-to-tray registration
- In-Line Film Die-cut

Engineered by: Calibre Products LLC

Above specifications subject to change without notice. The information contained herein is correct as of the date hereof.

**Manufactured in the U.S.A.**