

Speedseal® MX 4, 5, 6

Key Features

- Large volume conveyor available in three lengths
 - MX4 - 16', 8' of usable infeed
 - MX5 - 20', 12' of usable infeed
 - MX6 - 25', 17' of usable infeed
- Standard features include
 - Single or dual lane*
 - Color touch screen user interface
 - In-line film perforation
- Dual rotary heat seal stations ensures high quality seals
- Adjustable speed optimizes trays/minute based on line staff and number of food items.** Following speeds represent manual tray fill of 2 food items:
 - MX6: up to 72 trays/minute single lane; up to 80 trays/minute dual lane
 - MX5: up to 40 trays/minute single or dual lane
 - MX4: up to 40 trays/minute single or dual lane
- Option to integrate up to four accessories for system enhancement
 - Rotary Tray Accumulator
 - Tray Denester***
 - Food Depositor
 - Check Weigher
 - Metal Detector
 - X-Ray
 - Labeler

*Dual lane compatible with trays up to 5" wide

**Factors influencing line speed include number of food items, number of production personnel, manual operation. Please consult with your Oliver sales representative to determine line speed based on specific menus, staffing, level of automation.

***Tray denester not recommended for MX 4 or 5 due to length of infeed and size of denester



Speedseal® MX 6



Touch Screen (standard)



Depositor (option)



*Film Stand
with
Perforation
Unit
(standard)*

Above specifications subject to change without notice. The information contained herein is correct as of the date hereof.

Manufactured in the U.S.A.

Speedseal® MX 4, 5, 6

Specifications

Overall machine dimensions: see line drawings

Electrics:

1 PH 208V, 30 AMP, 60 Cycles

Air Supply:

80 PSI (line pressure)

Maximum Tray Dimensions:

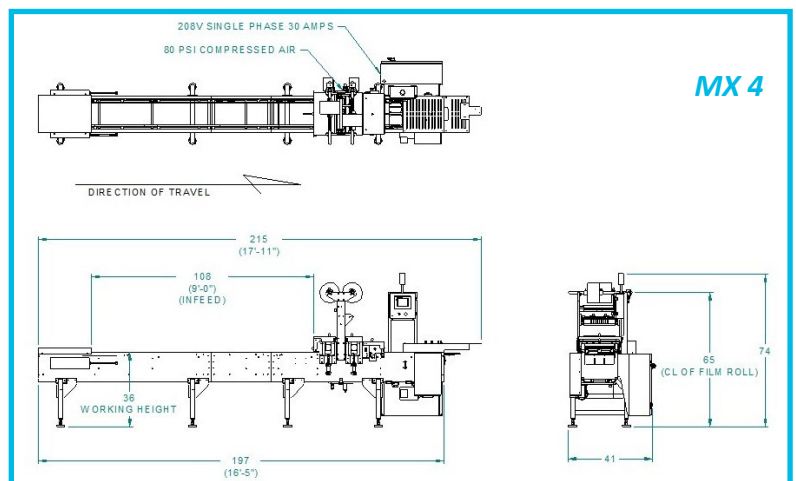
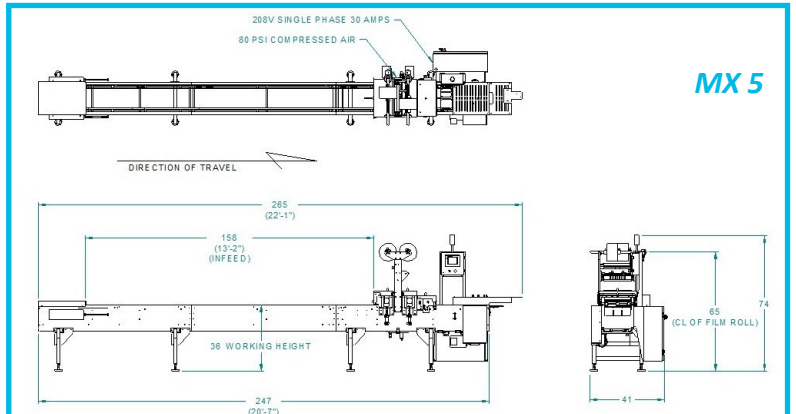
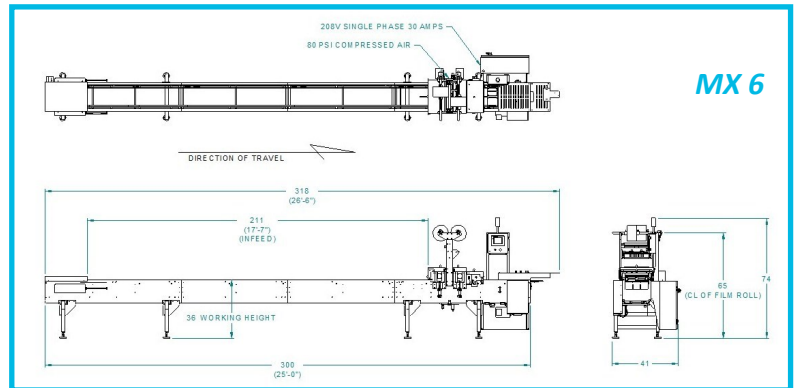
Single lane: 10.5" W x 12" L x 3" D

Dual lane: 5" W x 12" L x 3" D

Maximum Film Roll Diameter:

10" Outside diameter

3" Core



Above specifications subject to change without notice.
The information contained herein is correct as of the date hereof.