

BLOEMHOF

by
OLIVER

Model 1170

Mini-Vert Air Bread Bagger

Key Features

- Three times faster than manual bagging
- Slices don't shift during loading
- Bag hard / soft crusted, sliced / unsliced breads
- Ideally suitable for pan loaf bread
- Next bag pops up/open automatically
- Mounts directly to your slicer or bench
- Up to 1,200 packages/hour



Load

Feed

Release

Twist

Closure

Five steps to bag sliced bread



Manufactured in the U.S.A.



Mini-Vert Air Bread Bagger

Specifications

Motor / Electric

Standard:

90 cfm air blower 1.0 Amps 1 Ph / 115V / 60Hz

Product Capacity

5" Wide

Bag Specifications

Wicketed polyethylene/
polypropylene bakery bags

9" wide minimum

32" long (measured flat) maximum

Included

Adjustable Mounting Bracket

Shipping Weight

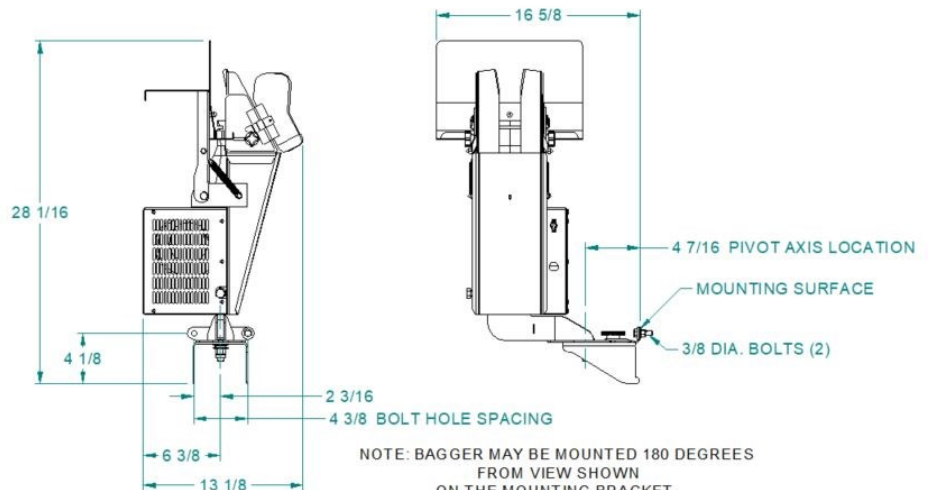
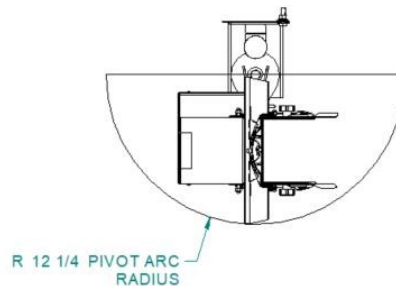
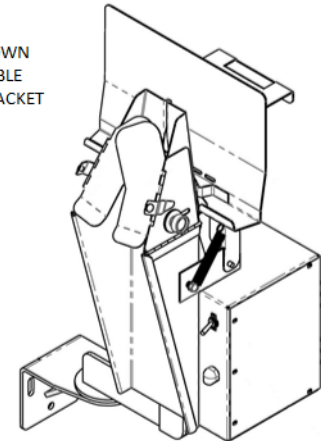
35 lbs. (16kg)

Height: 28.06"

Width: 16.62"

Depth: 13.12"

MINI-VERT SHOWN
WITH ADJUSTABLE
MOUNTING BRACKET



The information contained herein is correct to the best of our knowledge. The recommendations or suggestions are made without guarantee or representation as to results.

