



Grand Rapids, Michigan, U.S.A. 49504-5298

USER'S OPERATING AND INSTRUCTION MANUAL

MODEL 1279

BAGGER

**THIS PAGE WAS INTENTIONALLY
LEFT BLANK.**



1279 BAGGER

1279 OPERATORS MANUAL

INDEX

I. GENERAL

| | |
|---------------------------|------------|
| Safety Instructions | 1179S20010 |
|---------------------------|------------|

II. OPERATION

| | |
|------------------------------|------------|
| Operation Instructions | 1279S20000 |
|------------------------------|------------|

III. REPLACEMENT PARTS SECTION

| | |
|--|------------|
| 1279 Parts List | 1279S20001 |
| 1279 Exploded Parts Drawing | 1279S20002 |
| Floor Stand Parts List and Drawing | 1279S20003 |

IV. BAG PURCHASING

| | |
|--------------------------------------|------------|
| Bag Specification Instructions | 1279S20004 |
|--------------------------------------|------------|

V. WARRANTY SECTION

| | |
|-----------------------------|-----------|
| Warranty | GEN040225 |
| Warranty Procedure | GEN040226 |
| Returned Parts Policy | GEN040227 |

BAGGER SAFETY INSTRUCTIONS

OLIVER PRODUCTS COMPANY

Every effort has been made by Oliver Products Company to provide you with a safe machine. It is essential, however, that machine operators and maintenance personnel observe the following safety instructions.

1. Before attempting to operate your bagger, read the Operating Instruction portion of this Manual.
2. Make sure that the bagger is only connected to a properly grounded electrical supply source.
3. Make sure the machine has been disconnected from the power supply before cleaning or servicing.
4. Always keep hands away from moving parts.
5. "WARNING," when adjusting the height of the "optional" bagger table, you must support the table to prevent accidental collapse. Adjust one leg at a time.

OPERATING INSTRUCTIONS FOR 1279 BAGGER

SPECIFICATIONS

MACHINE DIMENSIONS: 13" WIDE x 40½" LONG x 9" HIGH

ADJUSTABLE FUNNELS: 2¼" TO 3½"

BAG WIDTH: 4" TO 13" (WICKETED BAGS ONLY)

BAG LENGTH: AS REQUIRED

STANDARD COLOR: WHITE

**ELECTRICAL SERVICE: 115 VOLTS*, 50 OR 60 HZ, 1 PH, 1.02 AMP.
*(230 VOLTS .51 AMP AVAILABLE)**

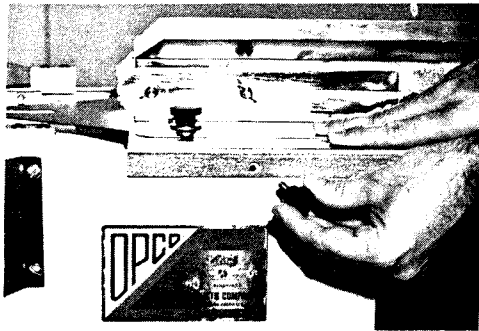


ACCESSORIES

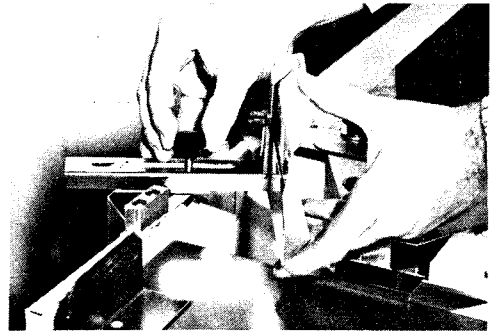
- EXTRA LENGTH BAG TRAY
- BAG SUPPORT FOR TRAY
- OPTIONAL FUNNELS
- ADJUSTABLE TILT TRAY
- DROP-LOADING HOPPER
- ADJ. HEIGHT FLOOR STAND 25" to 35"

GENERAL

Before making any adjustments to your bagger make sure the motor has stopped and that you have disconnected it from the power supply. The bagger must be adjusted for each change in product width and height. Each of these dimensions as well as product length may also affect bag size.



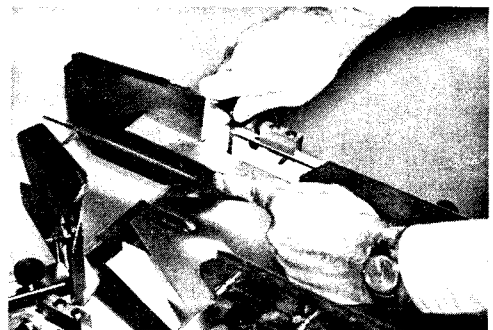
1. Remove the two knobs from the side of the case. Place the table over the case and replace the knobs.



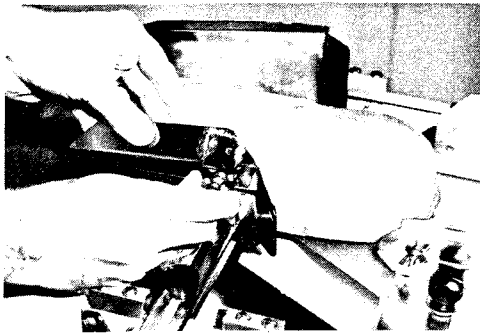
2. Remove the two knobs from the funnel arms and attach the adjustable funnel assemblies. Secure by replacing the knobs.



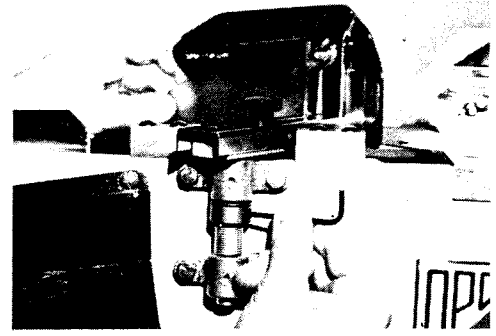
3. Center the product on the bagger table and move the side guides into the product. When satisfied, tighten the knobs to maintain this position.



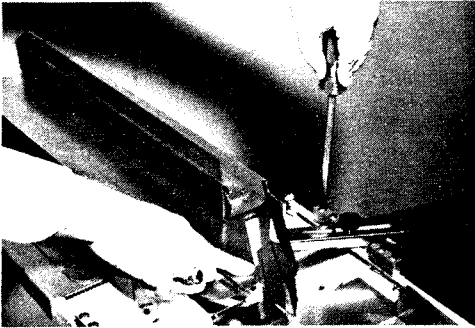
4. Set the width of the funnel arms so that when the funnels are parallel they are the same width and in line with the side guides. A straight edge may be used to make this adjustment.



5. Adjust the height of the funnel so that the product will go under the top flange of the funnel. If the funnel cannot be adjusted to this height you may require special funnels.



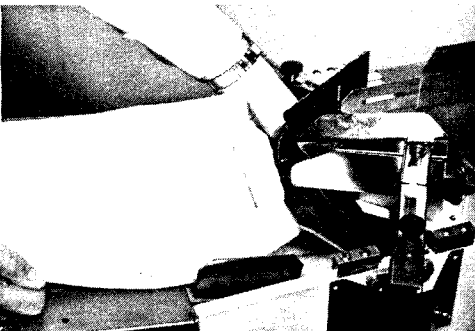
6. If it is necessary to increase the funnel return spring tension, remove the side guard and using a hex allen wrench loosen the spring collar. Rotate the collar until desired tension is reached, retighten the collar and replace the guard.



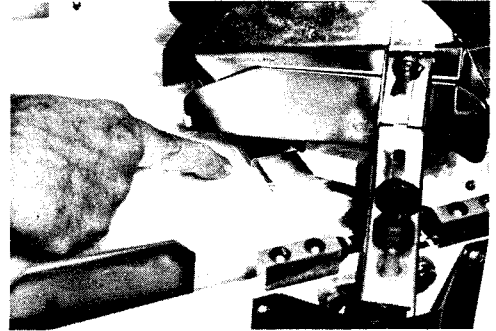
7. Adjust the rear funnel arm stop so that the funnel can return to a position where it is parallel with the edge of the table, or, as near this position as possible without hitting the table.



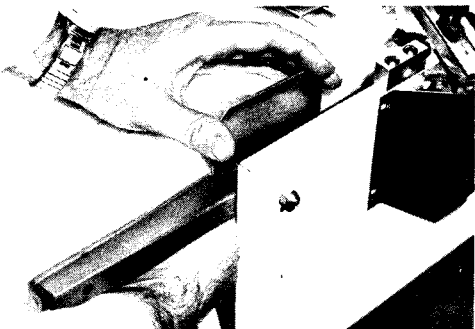
8. Adjust the side guide extensions so that they almost touch the fully returned funnel.



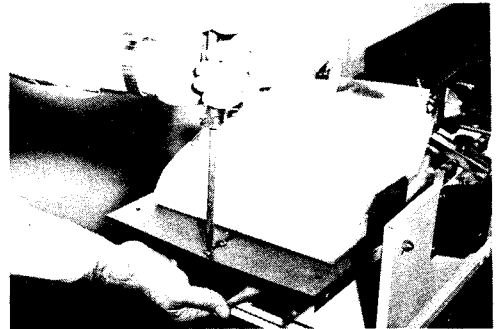
9. Wicketed bags must be used on your bagger. Place the wicket as shown with legs down and past the end of the bag tray.



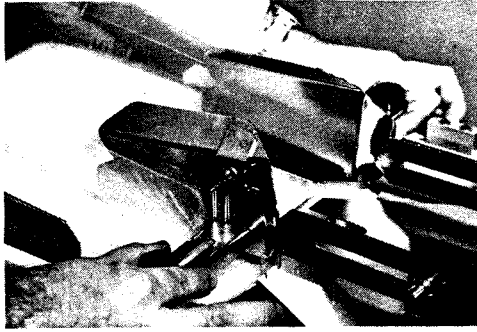
10. Secure the wicket behind the lip as shown.



11. Adjust bag locaters so that they center the bags on the machine.



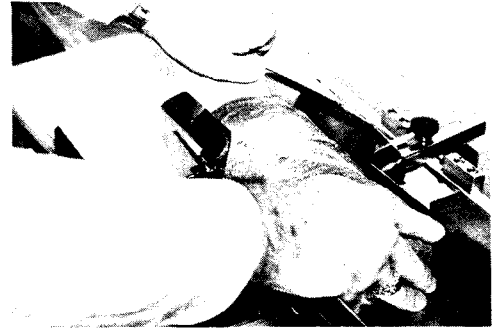
12. Adjust the weight so that it exerts enough force on the wicket to keep it from slipping out from under the lip.



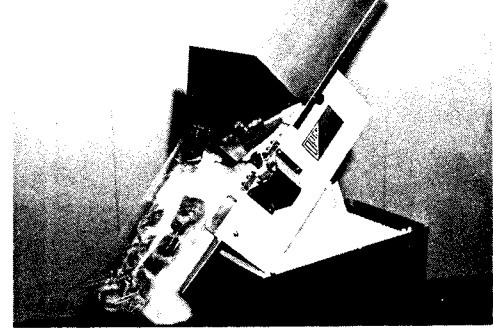
13. You are now ready to begin bagging. Re-connect the bagger to its power supply and turn the machine on. The first bag should fill with air and become ready for loading. Check funnel entry for adequate clearance.



15. Push the product through the funnels and into the bag, continue pushing with one motion until the filled bag rips from the wicket. The bag may now be closed using a closing device of your choice.



14. Place the product between the side guides and slide it into the funnels. In certain cases it may help to hold the bag on its top edge as shown.



16. Using the tilt tray and hopper options can allow you to drop load your product.

PARTS LIST 1279 BAGGER

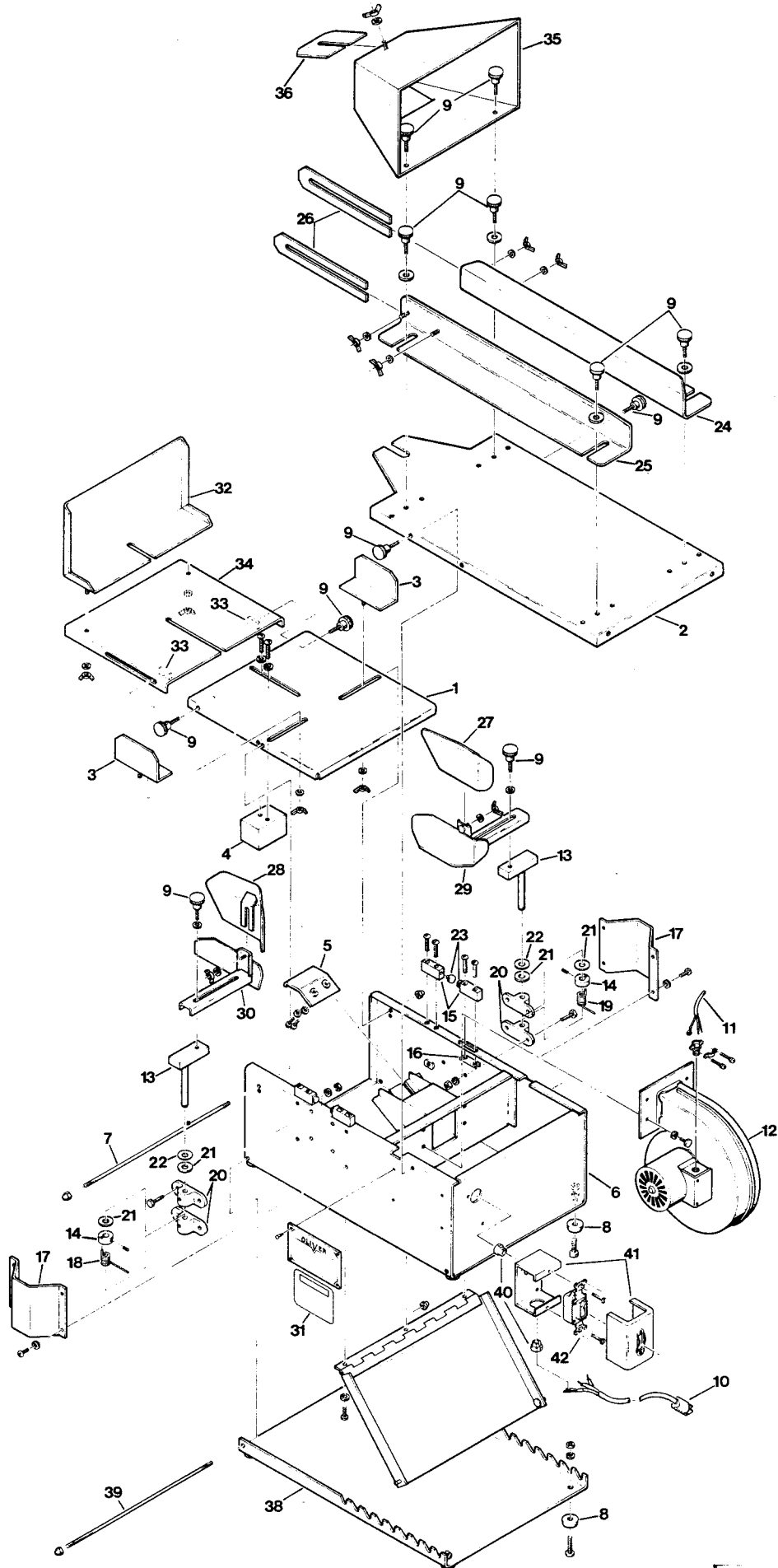
NOTE: Items not identified on this sheet or drawing are standard hardware items which may be purchased locally.

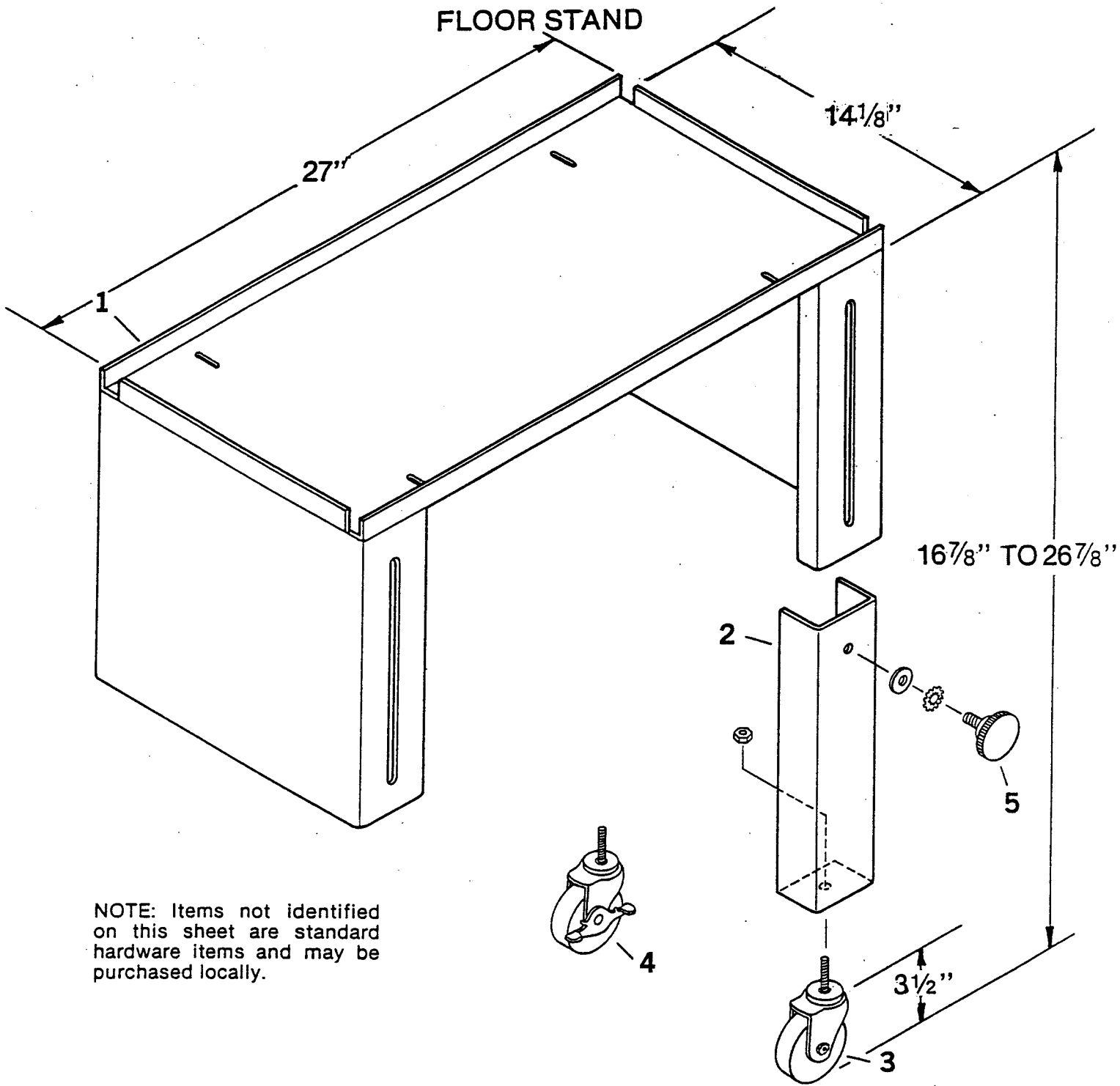
| *OPTIONAL ITEMS | | |
|-----------------|-------------------------------|--------------------|
| <u>Item No.</u> | <u>Item Description</u> | <u>Part Number</u> |
| 1 | Tray-Bag | 1079-0014-001 |
| 2 | Table-Infeed | 1079-0015 |
| 3 | Locator Bag | 1079-0016 |
| 4 | Weight | 1179-0003 |
| 5 | Lip | 1179-0004 |
| 6 | Case | 1279-0001 |
| 7 | Stud-DE | 4625-3508-1362 |
| 8 | Foot-Rubber | 5902-0011 |
| 9 | Knob | 5911-7024 |
| 10 | Cord 115 V. | 5765-8300 |
| *10 | Cord 230 V. | 1179-25011 |
| 11 | Cord-Motor | 1179-0019 |
| 12 | Blower 1-50/60-115 | 6310-5020 |
| *12 | Blower 1-50/60-230 | 6310-5021 |
| 13 | Arm-Funnel | 1279-0002 |
| 14 | Collar-Special Set | 1279-0003 |
| 15 | Block-Stop | 1279-0004 |
| 16 | Bar-Nut | 1279-0005 |
| 17 | Guard-Side | 1279-0006 |
| 18 | Spring-RH | 4605-1000-0009 |
| 19 | Spring-LH | 4605-1000-0010 |
| 20 | Brg. Pillow Block | 5251-8090 |
| 21 | Washer-Thrust 1/8 | 5254-3505 |
| 22 | Washer-Thrust 1/16 | 5254-3507 |
| 23 | Bumper-Rubber | 5902-0020 |
| 24 | Guide-Product RH | 1079-0017-0001 |
| 25 | Guide-Product LH | 1079-0017-0002 |
| 26 | Extension-Guide | 1079-0018 |
| 27 | Funnel-Upper RH 2-1/4 - 3-1/2 | 1079-0036-0001 |
| *27 | Funnel-Upper RH 3-1/4 - 6 | 1079-0038-0001 |
| 28 | Funnel-Upper LH 2-1/4 - 3-1/2 | 1079-0036-0002 |
| *28 | Funnel-Upper LH 3-1/4 - 6 | 1079-0038-0002 |
| 29 | Funnel-Lower RH 2-1/4 - 3-1/2 | 1279-0007-0001 |
| *29 | Funnel-Lower RH 3-1/4 - 6 | 1279-0008-0001 |
| 30 | Funnel-Lower LH 2-1/4 - 3/1/2 | 1279-0007-0002 |
| *30 | Funnel-Lower LH 3-1/4 - 6 | 1279-0008-0002 |
| 31 | Nameplate - Caution | 6400-3006 |
| *32 | Support-Bag | 1079-0021-001 |
| *33 | Nut Bar | 4460-1008-1001 |
| *34 | Extension-Bag Tray | 1079-0020-001 |
| *35 | Hopper | 1079-0022 |
| *36 | Hopper-Extension | 1079-0023 |
| *37 | Plate-Angle | 1279-0009 |
| *38 | Plate-Base | 1279-0010 |
| *39 | Stud-DE | 4625-3508-1406 |
| 40 | Strain Relief | 5765-1080 |
| 41 | Enclosure Switch | 5764-8070 |
| 42 | Switch | 5758-0002 |

(Rev. 10-92)

1279S20001

OLIVER MODEL 1279 BAGGER





NOTE: Items not identified on this sheet are standard hardware items and may be purchased locally.

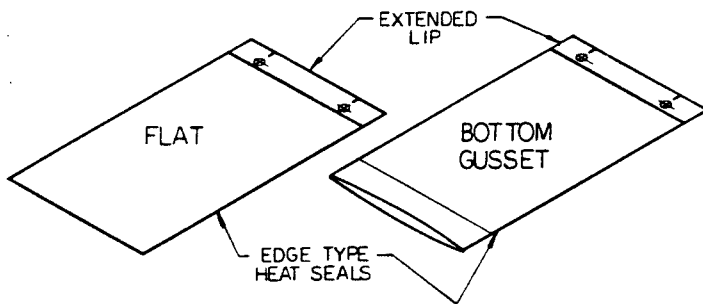
PARTS LIST:

| | | | Quantity |
|----|----------------------------|-----------|----------|
| 1. | FRAME-FLOOR STAND | 1079-0025 | 1 |
| 2. | LEG FLOOR STAND | 1079-0026 | 4 |
| 3. | CASTER 3" | 5902-2358 | 2 |
| 4. | CASTER 3" WITH BRAKE | 5902-2359 | 2 |
| 5. | KNOB | 5911-7027 | 4 |

BAG SPECIFICATION FOR OLIVER BAGGERS

BASIC BAGS

Most applications using the OLIVER bagger will be for either polyethylene or polypropylene bags. These bags must be of an extended lip design and mounted on a wicket, ideally about 250 bags per wicket. The bag can be purchased in different constructions as shown below.



As other bags of either different construction or different materials can be purchased, we would suggest that if you desire to use one of these bags that your best course of action would be to obtain sample bags and to try them, as this would give you the best and most reliable answer to their acceptability.

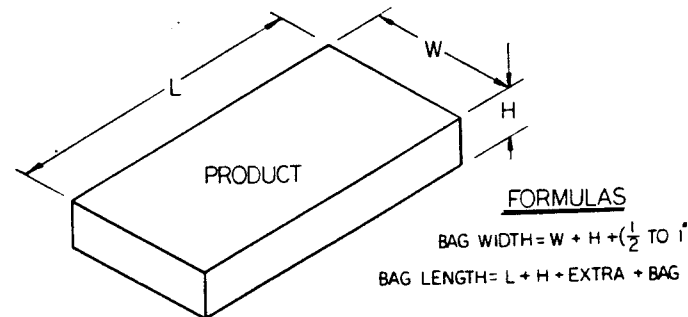
SIZE SELECTION

The next thing you must determine is the bag size needed for your product. It is important to state here that the looser the fit between the product and the bag the easier it will be to insert the product, thereby increasing the speed of packaging. Conversely a tighter fit will generally result in a better looking package, but slower and more difficult packaging.

What follows is only "a rule of thumb" formula, and before placing an order with the bag manufacturer, sample bags should be tested for their acceptability. As all bagging machines are a little different it also follows that the bag may differ for the same product run on different baggers.

Bag Width

The minimum width of the bag can be roughly determined by adding the width + height, or, (the circumference divided by two, on irregular shapes), and adding $\frac{1}{2}$ " to 1 ". A 13" wide bag is the maximum width which can be used on an OLIVER bagger.

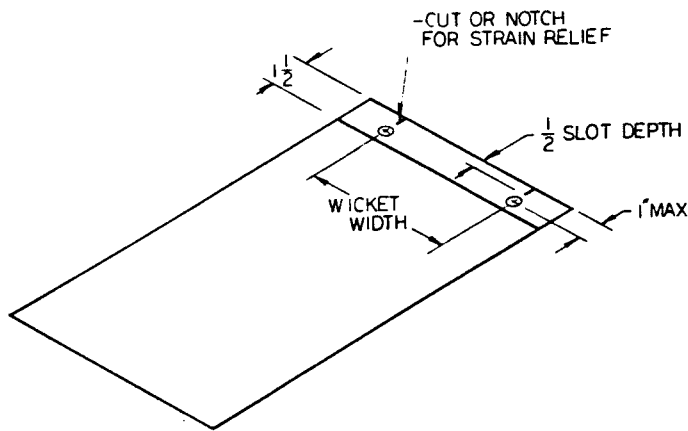


Bag Length

The length of the bag can roughly be determined by adding the length + height of the product to an extra amount which must be determined by the user of the bagger based on the method which will be employed to close the bag; tying, taping, trim sealing, etc. This may be one to three or more inches depending on the closing method chosen.

LIP & WICKET SIZES

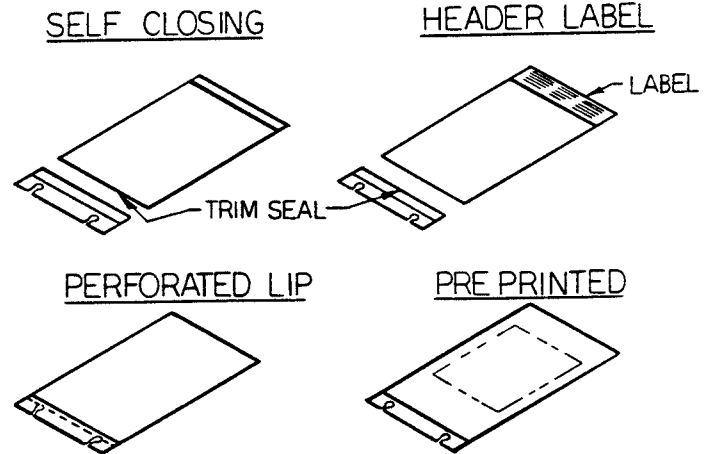
As mentioned before you must use extended lip design, wicketed bags. In general, the lip should be about 1½" long with the center line of the wicket holes about 1" from the edge. Often there is a cut above the wicket holes to aid the bag in tearing from the wicket during loading.



The width of the wicket should never be more than the maximum width of the product to be bagged, and should be centered on the bag. Note: If the wicket were wider than the product you would have to have a wider bag than normally required to handle the same size product.

BAG OPTIONS

We would like to mention a few of the bag options available, see the following illustration.



Consult your bag supplier for additional types and additional information on their availability for your application.



WARRANTY

PARTS

Oliver Packaging & Equipment Company (Oliver) warrants that if any part of the equipment (other than a part not manufactured by Oliver) proves to be defective (as defined below) within one year after shipment, and if Buyer returns the defective part to Oliver within one year, Freight Prepaid to Oliver's plant in Grand Rapids, MI, then Oliver, shall, at Oliver's option, either repair or replace the defective part, at Oliver's expense.

LABOR

Oliver further warrants that equipment properly installed in accordance with our special instructions, which proves to be defective in material or workmanship under normal use within one (1) year from installation or one (1) year and three (3) months from actual shipment date, whichever date comes first, will be repaired by Oliver or an Oliver Authorized Service Dealer, in accordance with Oliver's published Service Schedule.

For purposes of this warranty, a defective part or defective equipment is a part or equipment which is found by Oliver to have been defective in materials workmanship, if the defect materially impairs the value of the equipment to Buyer. Oliver has no obligation as to parts or components not manufactured by Oliver, but Oliver assigns to Buyer any warranties made to Oliver by the manufacturer thereof.

This warranty **does not** apply to:

1. Damage caused by shipping or accident.
2. Damage resulting from improper installation or alteration.
3. Equipment misused, abused, altered, not maintained on a regular basis, operated carelessly, or used in abnormal conditions.
4. Equipment used in conjunction with products of other manufacturers unless such use is approved by Oliver Products in writing.
5. Periodic maintenance of equipment, including but not limited to lubrication, replacement of wear items, and other adjustments required due to installation, set up, or normal wear.
6. Losses or damage resulting from malfunction.

The foregoing warranty is in lieu of all other warranties expressed or implied AND OLIVER MAKES NO WARRANTY OF MERCHANTABILITY OR FITNESS FOR PURPOSE REGARDING THE EQUIPMENT COVERED BY THIS WARRANTY. Oliver neither assumes nor authorizes any person to assume for it any other obligations or liability in connection with said equipment. OLIVER SHALL NOT BE LIABLE FOR LOSS OF TIME, INCONVENIENCE, COMMERCIAL LOSS, INCIDENTAL OR CONSEQUENTIAL DAMAGES.



Oliver Packaging & Equipment Company
511 Sixth Street NW • Grand Rapids, MI 49504

(800) 253-3893
www.oliverquality.com

WARRANTY PROCEDURE

1. If a problem should occur, either the dealer or the end user must contact the Parts and Service Department and explain the problem.
2. The Parts and Service Manager will determine if the warranty will apply to this particular problem.
3. If the Parts and Service Manager approves, a Work Authorization Number will be generated, and the appropriate service agency will perform the service.
4. The service dealer will then complete an invoice and send it to the Parts and Service Department at Oliver Products Company.
5. The Parts and Service Manager of Oliver Packaging and Equipment Company will review the invoice and returned parts, if applicable, and approve for payment.



Oliver Packaging & Equipment Company
511 Sixth Street NW • Grand Rapids, MI 49504

(800) 253-3893
www.oliverquality.com

RETURNED PARTS POLICY

This policy applies to all parts returned to the factory whether for warranted credit, replacement, repair or re-stocking.

Oliver Packaging and Equipment Company requires that the customer obtain a Return Material Authorization (RMA) number before returning any part. This number should appear on the shipping label and inside the shipping carton as well. All parts are to be returned prepaid. Following this procedure will insure prompt handling of all returned parts.

To obtain an RMA number contact the Repair Parts Department toll free at (800) 253-3893.

Parts returned for re-stocking are subject to a **RE-STOCKING CHARGE**.

Thank you for your cooperation,

Repair Parts Manager
Oliver Packaging and Equipment Company