

BLOEMHOF



Model 4-24 BL2

Simplex Sheeter/Moulder

Dual purpose in a single machine.

Moulding

- Bolillos
- Tapered rolls
- French bread*
- White, raisin & pan breads *
- Subs, hoagies & hotdog rolls *

Sheeting

- Puff pastry & Danish dough
- Yeast raised dough



SIMPLEX 4-24 BL2 Model Shown with optional 21" pressure plate & curling chain

Key Features

- Duo infeed, process up to 7,200 Bolillos/hour
- Quick change index system - easy roller adjustment
- Telescoping infeed tube(s)
- In-feed guard with automatic shut off
- 24" wide FDA approved polyester belt
- Two 6" curling chains standard BL2
- Variable speed

* with optional accessories

The information contained herein is correct to the best of our knowledge. The recommendations or suggestions are made without guarantee or representation as to results.

Above specifications subject to change without notice.



Manufactured in the U.S.A.

BLOEMHOF



Model 4-24 BL2

Simplex Sheeter/Moulder

Specifications

Motor

Standard:

3/4 HP, heavy duty motor, 1 Ph/115 or 220 V/ 60Hz

Special Electrics available; see price list

Product Capacity

1 oz. to 4 lbs

Bolillo Moulding Plate 23" Long,

Two included

Choose width - 5", 6", or 7.5"

Flat Moulding Plates, 28" Long

Flat: 16", 18", 20", 21.5"

Side guides recommended for use with flat plates

Shipping Weight:

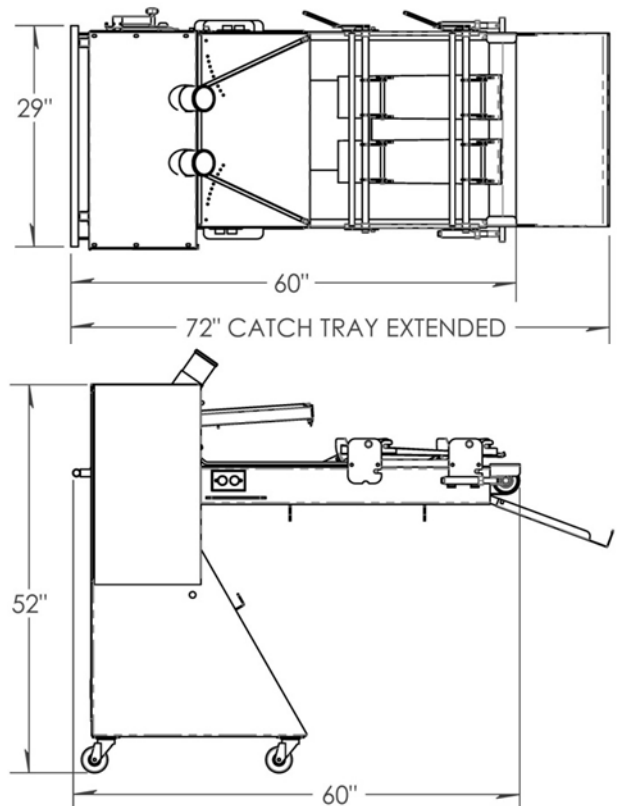
765 lbs. (347kg)

Net Weight:

515 lbs. (234kg)

Height: 54" Width: 32" including handles

Length: 60" - up to 72" when catch tray is extended



The information contained herein is correct to the best of our knowledge. The recommendations or suggestions are made without guarantee or representation as to results.

Above specifications subject to change without notice.



Manufactured in the U.S.A.