

# BLOEMHOF



Model 4-24 BL2

## Simplex Sheeter/Moulder

Dual purpose in a single machine.

### Moulding

- Bolillos
- Tapered rolls
- French bread\*
- White, raisin & pan breads \*
- Subs, hoagies & hotdog rolls \*

### Sheeting

- Puff pastry & Danish dough
- Yeast raised dough



SIMPLEX 4-24 BL2 Model Shown with optional 21" pressure plate & curling chain

## Key Features

- Duo infeed, process up to 7,200 Bolillos/hour
- Quick change index system - easy roller adjustment
- Telescoping infeed tube(s)
- In-feed guard with automatic shut off
- 24" wide FDA approved polyester belt
- Two 6" curling chains standard
- Variable speed

\* with optional accessories

The information contained herein is correct to the best of our knowledge. The recommendations or suggestions are made without guarantee or representation as to results.

Above specifications subject to change without notice.



Manufactured in the U.S.A.

# Simplex Sheeter/Moulder

## Specifications

### Motor

Standard:

3/4 HP, heavy duty motor, 1 Ph/115 or 220 V/ 60Hz

Special Electrics available; see price list

### Product Capacity

1 oz. to 4 lbs

**Bolillo Moulding Plate 23" Long,**

**Two included**

**Choose width - 5", 6", or 7.5"**

**Flat Moulding Plates, 28" Long,**

6, 8, 9, 10, 12, 14, 16", 18", 20", 21.5"

Side guides recommended for use with flat plates

### Shipping Weight:

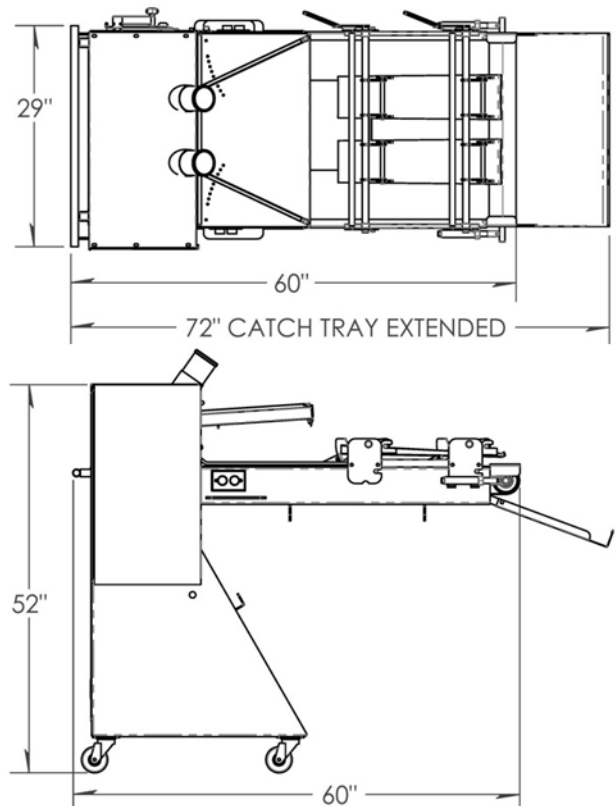
765 lbs. (347kg)

### Net Weight:

515 lbs. (234kg)

**Height: 54" Width: 32" including handles**

**Length: 60" - up to 72" when catch tray is extended**



The information contained herein is correct to the best of our knowledge. The recommendations or suggestions are made without guarantee or representation as to results.

Above specifications subject to change without notice.



**Manufactured in the U.S.A.**