

Simplex Sheeter/Moulder

Dual purpose in a single compact machine.

Moulding

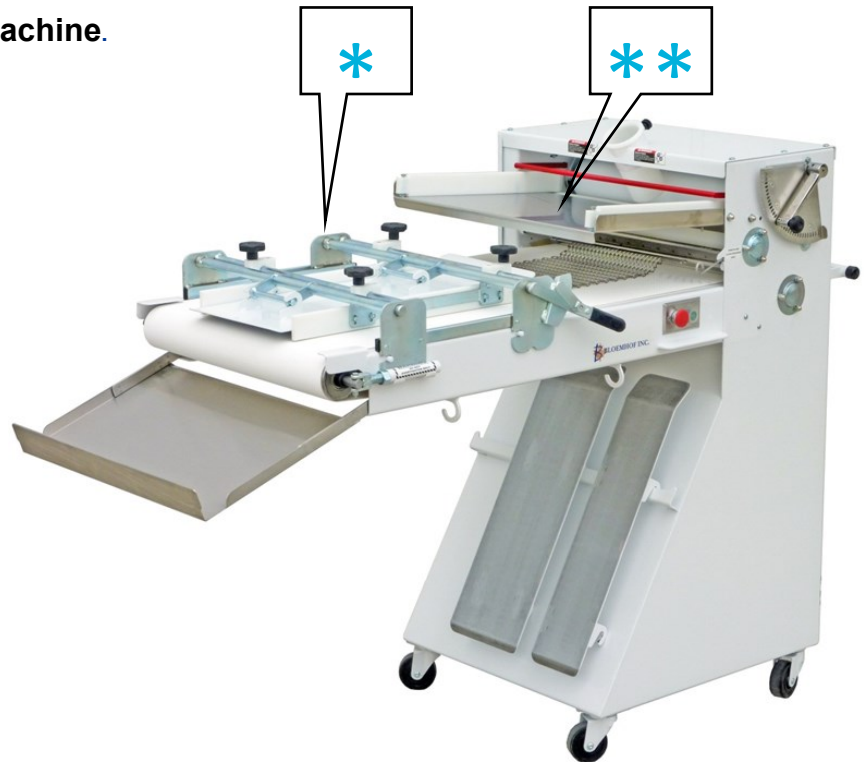
- Pan Breads
- Whole Grain Breads
- Subs, hoagies & hot dog rolls
- Challah
- Pretzels
- Tapered rolls & bolillos
(with optional accessories)

Sheeting

- Puff pastry & Danish dough
- Yeast raised dough

Key Features

- Process up to 3,600 pieces/hour
- Product capacity 1 oz. - 4 lbs.
- In-feed guard with automatic shut off
- Quick change index system - easy roller adjustment
- Fully adjustable side guides
- Variable speed
- 24" wide FDA approved polyester belt
- 6" & 12" curling chain standard
- 6", 9", & 12" Flat Moulding Plates standard



*To use sheeter feature: remove dough roller/pressure plate mounting system and rolling chain.

**Sheeter Infeed:

Dough is gently compressed through roller system and exits underneath infeed on to conveyor.

Above specifications subject to change without notice. The information contained herein is correct as of the date hereof.

Recommendations or suggestions are made without guarantee or representation as to results.



Simplex Sheeter/Moulder

Specifications

Motor / Electric:

Standard:

3/4 HP, heavy duty motor, 1PH, 60 HZ, 115 or 208V*

GFCI circuits require a 208V* for optimal machine performance. If you are uncertain if your facility has GFCI, please consult with your electrician prior to placing machine order.

Machines wired for 115V are not compatible with GFCI circuits.

*Machine also compatible for 230V with one-step setting change. Contact Oliver parts and service for instructions on how to change the setting.

Product Capacity

1 oz. to 4 lbs

Additional Flat Moulding Plate 28" Long,

8", 10", 14", 16", 18", 20", 21.5"

Bolillo Moulding Plate 23" Long:

5", 6", 7.5"

Shipping Weight:

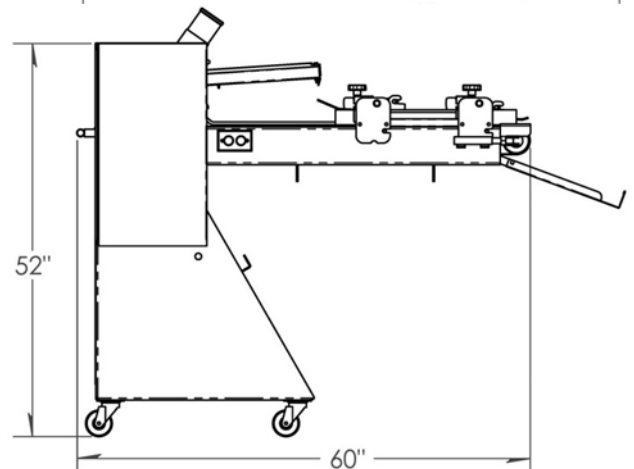
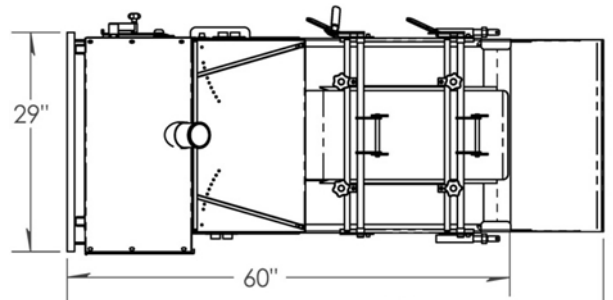
730 lbs. (331kg)

Net Weight:

515 lbs. (234kg)

Dimensions: see drawing

Length: 60" - up to 72" when catch tray is extended



Above specifications subject to change without notice. The information contained herein is correct as of the date hereof. Recommendations or suggestions are made without guarantee or representation as to results.



Manufactured in the U.S.A.