

Super 12 Horizontal Airbagger

Key Features

- Up to three times faster than manual bagging
- Package products from 4-12" wide
- Gentle flow air opens next bag for continuous bagging
- Simply slide product through side guides and in to open bag
- Optional cart with casters and bag closure stand create complete and versatile system
- 1,200 packages/hour maximum throughput



Manufactured in the U.S.A.

Super 12 Horizontal Airbagger

Specifications

Motor

Standard:

90 cfm air blower 1.0 Amps 1 Ph / 115V / 60Hz

Product Capacity

4" - 12" wide

Bag Specifications

Wicketed polyethylene bakery bags

5" wide minimum

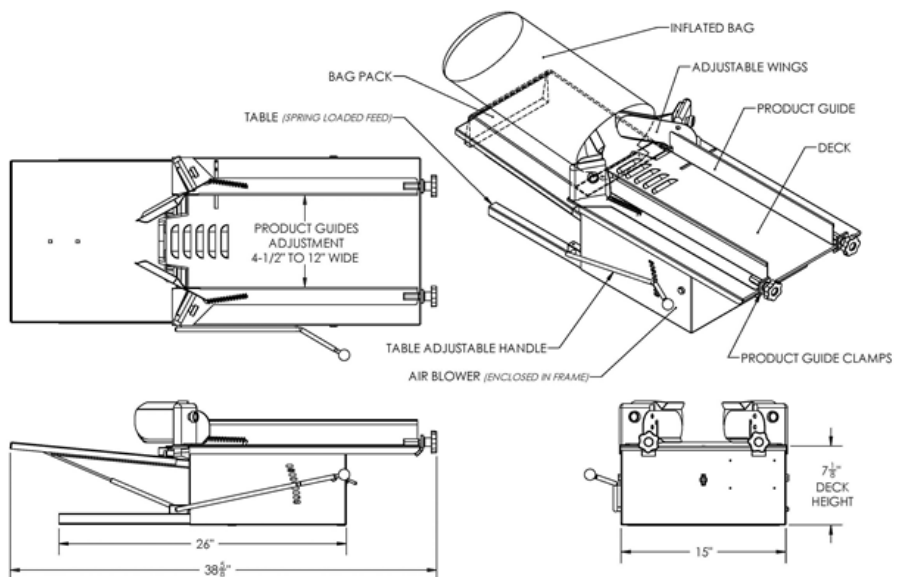
15" wide maximum

32" long (measured flat) maximum

Options

Bagging station cart with casters, side table and nitrogen lift cylinder

Shipping Weight: 75 lbs. (34kg) bagger only



The information contained herein is correct to the best of our knowledge. The recommendations or suggestions are made without guarantee or representation as to results.

Above specifications subject to change without notice.



Manufactured in the U.S.A.