



3236 Wilson Drive NW, Walker, MI 49534
800-253-3893 | www.oliverquality.com

758 Front Load

Duo-Loaf Slicer

Model 758-N

KEY FEATURES

Two slice thickness options in one machine

On-demand slicing of hard-crustured artisan breads and soft-textured sandwich loaves

Easy to operate with convenient, front-mounted push-button controls

Smooth, quiet operation with minimal vibration



Made in the U.S.A.



Above specifications subject to change without notice. The information contained herein is correct as of the date hereof. Recommendations or suggestions are made without guarantee or representation as to results.

012624



3236 Wilson Drive NW, Walker, MI 49534
800-253-3893 | www.oliverquality.com

758 Front Load

Duo-Loaf Slicer

Model 758-N

PRODUCT SPECIFICATIONS

Electrical Standard:

1-phase, 60hz, 115VAC, 7-Amps

Maximum Loaf Size:

L-13" (330mm) X W-5.5" (140mm)
X H-5.5"(140mm)

Finish:

Stainless steel contact components and food-safe materials throughout

Dimensions:

H-54.25" x W-38.25" x D-29.75"

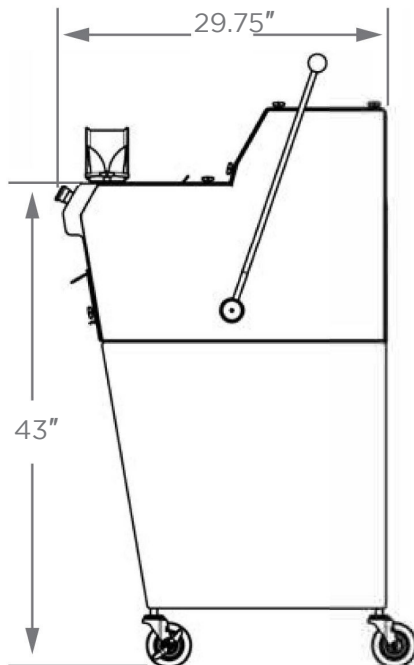
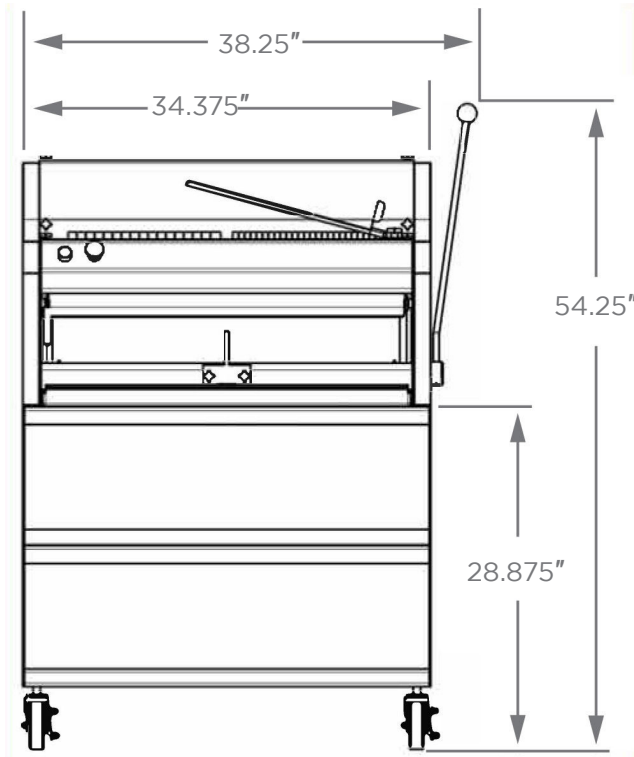
Net Weight: 450lb (204kg)

Shipping Weight: 575lb (260kg)

Slice Spacing Included:

1/2" (13mm), 3/4" (19mm)
(Positioned in slicer - 3/4" on left, 1/2" on right)

Warranty: Standard 1-year



Made in the U.S.A.



Above specifications subject to change without notice. The information contained herein is correct as of the date hereof. Recommendations or suggestions are made without guarantee or representation as to results.

012624