



3236 Wilson Drive NW, Walker, MI 49534
800-253-3893 | www.oliverquality.com

777 Variety Slicer

On-Demand Variety Loaf

Model 777-N



KEY FEATURES

Slices virtually all varieties of bread cleanly and quickly

Compact, sturdy design is easy to use

Automatically holds bread in place during slicing

Bagging scoop standard; select top, front or side mount

Optional casters for easy location of slicer

Recommended for slicing up to 150 loaves per day

Made in the U.S.A.



Above specifications subject to change without notice. The information contained herein is correct as of the date hereof. Recommendations or suggestions are made without guarantee or representation as to results.

061024



3236 Wilson Drive NW, Walker, MI 49534
800-253-3893 | www.oliverquality.com

777 Variety Slicer

On-Demand Variety Loaf

Model 777-N

PRODUCT SPECIFICATIONS

Electrical Standard:

1-phase, 60hz, 115VAC, 7-Amps

Maximum Loaf Size:

L-16" (406mm) x W-10.5" (267mm) x
H-6" (152mm)

Finish:

Stainless steel contact components and
food-safe materials throughout

Net Weight: 250lb (114kg)

Shipping Weight: 300lb (135kg)

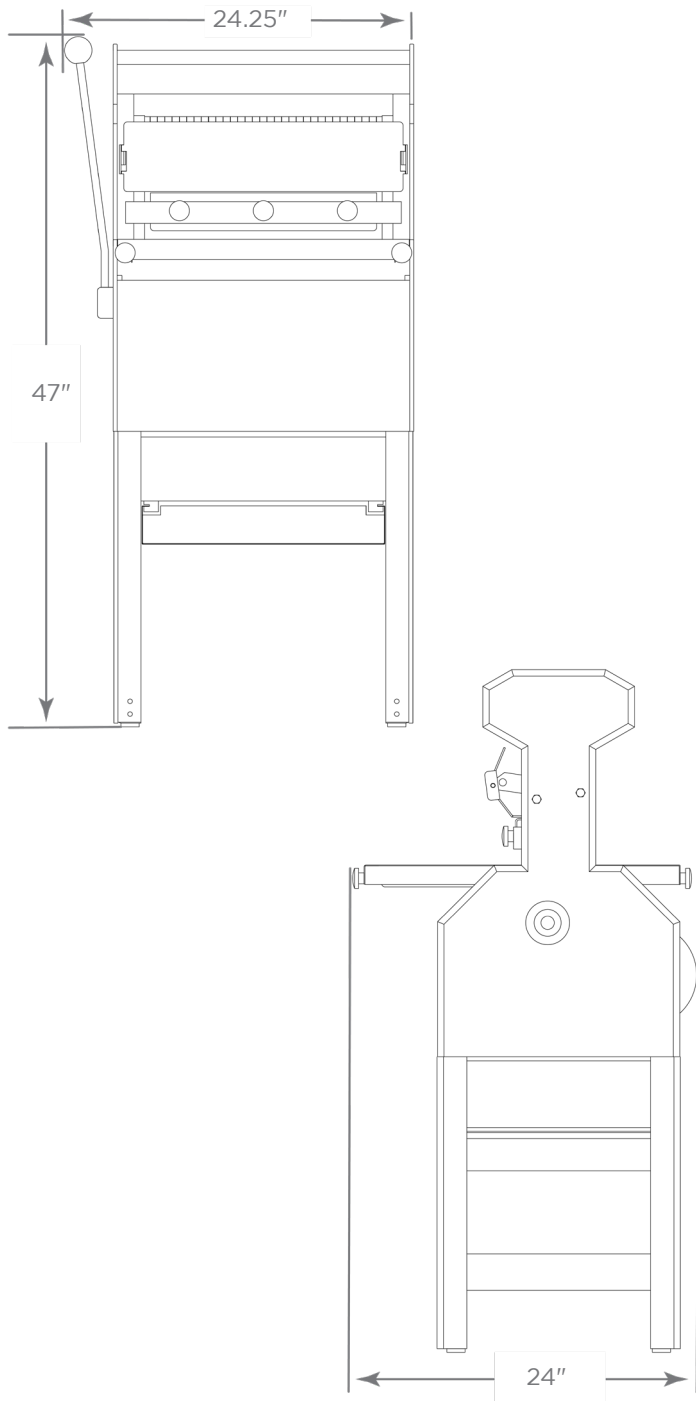
Dimensions:

H-47" x W-24.25" x D-24"

Includes One Slice Thickness Option:

3/8" (10mm), 7/16" (11mm), 1/2" (13mm),
5/8" (16mm)

Warranty: 2-year parts and labor



Made in the U.S.A.



Above specifications subject to change without notice. The information contained herein is correct as of the date hereof. Recommendations or suggestions are made without guarantee or representation as to results.

012624